

# GTX™ 330, GTX™ 330D TRANSPONDER INSTALLATION MANUAL



Garmin Ltd. or its subsidiaries

190-00207-02 Revision F  
March 2004

---

© Copyright 2002 – 2004  
Garmin Ltd. or its subsidiaries  
All Rights Reserved

Except as expressly provided herein, no part of this manual may be reproduced, copied, transmitted, disseminated, downloaded or stored in any storage medium, for any purpose without the express prior written consent of Garmin. Garmin hereby grants permission to download a single copy of this manual and of any revision to this manual onto a hard drive or other electronic storage medium to be viewed and to print one copy of this manual or of any revision hereto, provided that such electronic or printed copy of this manual or revision must contain the complete text of this copyright notice and provided further that any unauthorized commercial distribution of this manual or any revision hereto is strictly prohibited.

Garmin International, Inc.  
1200 E. 151<sup>st</sup> Street  
Olathe, KS 66062 USA  
Telephone: 913-397-8200  
Aviation Panel-Mount Technical Support Line (Toll Free): 1-888-606-5482  
[www.garmin.com](http://www.garmin.com)

Garmin (Europe) Ltd.  
Unit 5, The Quadrangle, Abbey Park Industrial Estate  
Romsey, SO51 9DL, U.K.  
Telephone: 44/1794.519944

### **RECORD OF REVISIONS**

| <b>Revision</b> | <b>Revision Date</b> | <b>Description</b>                       | <b>ECO #</b> |
|-----------------|----------------------|--|--------------|
| A               | 10/24/02             | Initial Release                          | 19401        |
| B               | 5/1/03               | Upgrade to SW 3.03                       | 20932        |
| C               | 6/3/03               | Reverse Pins 47 and 53 on J3301          | 21261        |
| D               | 8/4/03               | Added Figure 4-9, 330/327 w/Dual Display | 21954        |
| E               | 10/22/03             | Added TIS/TCAD combo and SW connector    | 22929        |
| F               | 03/26/04             | Upgrade to SW 3.05                       | 25218        |

---

This manual is written for software version 3.05. The software version and information in this document is subject to change without notice.

### **INFORMATION SUBJECT TO EXPORT CONTROL LAWS**

This document may contain information which is subject to the Export Administration Regulations ("EAR") issued by the United States Department of Commerce (15 CFR, Chapter VII, Subchapter C) and which may not be exported, released, or disclosed to foreign nationals inside or outside of the United States without first obtaining an export license. A violation of the EAR may be subject to a penalty of up to 10 years imprisonment and a fine of up to \$1,000,000 under Section 2410 of the Export Administration Act of 1979. Include this notice with any reproduced portion of this document.

#### **WARNING**

This product, its packaging, and its components contain chemicals known to the State of California to cause cancer, birth defects, or reproductive harm. This Notice is being provided in accordance with California's Proposition 65. If you have any questions or would like additional information, please refer to our web site at [www.garmin.com/prop65](http://www.garmin.com/prop65).

#### **NOTE**

Throughout this document references made to GTX 330 shall equally apply to the GTX 330D except where specifically noted.

---

This page intentionally left blank

---

## TABLE OF CONTENTS

| PARAGRAPH  | PAGE |
|--|------|
| 1 GENERAL DESCRIPTION.....   | 1-1  |
| 1.1 Introduction.....  | 1-1  |
| 1.2 Equipment Description.....   | 1-1  |
| 1.3 TIS System Capabilities.....                                       | 1-2  |
| 1.4 Mutual Suppression Pulses.....                                     | 1-2  |
| 1.5 Interface Summary.....   | 1-2  |
| 1.6 Technical Specifications.....                                      | 1-4  |
| 1.7 Installation Approval.....   | 1-6  |
| 1.8 Aircraft Station Licensing Requirements.....                       | 1-7  |
| 1.9 Limited Warranty.....  | 1-8  |
| <br>   |      |
| 2 INSTALLATION OVERVIEW.....   | 2-1  |
| 2.1 Introduction.....  | 2-1  |
| 2.2 Unpacking and Inspecting Equipment.....                            | 2-1  |
| 2.3 Antenna Installation.....  | 2-1  |
| 2.4 Installation Approval Considerations for Pressurized Aircraft..... | 2-2  |
| 2.5 Cabling and Wiring.....  | 2-3  |
| 2.6 Cooling Air.....   | 2-4  |
| 2.7 GTX 330 Installation.....  | 2-4  |
| <br>   |      |
| 3 INSTALLATION PROCEDURE.....  | 3-1  |
| 3.1 Antenna Installation.....  | 3-1  |
| 3.2 Electrical Connections.....  | 3-1  |
| 3.3 Post Installation Checkout.....                                    | 3-2  |
| <br>   |      |
| 4 SYSTEM INTERCONNECTS.....  | 4-1  |
| 4.1 Pin Function List.....   | 4-1  |
| 4.2 Power And Lighting Function.....                                   | 4-3  |
| 4.3 Temperature Inputs.....  | 4-3  |
| 4.4 Altitude Functions.....  | 4-4  |
| 4.5 Discrete Functions.....  | 4-6  |
| 4.6 Serial Data Electrical Characteristics.....                        | 4-7  |

---

| PARAGRAPH  | PAGE |
|--|------|
| 5 POST INSTALLATION CONFIGURATION AND CHECKOUT PROCEDURE ..... | 5-1  |
| 5.1 Operation .....  | 5-1  |
| 5.2 Configuration Pages.....                                   | 5-5  |

APPENDIX A CERTIFICATION DOCUMENTS

|   |     |
|---|-----|
| A.1 STC .....   | A-1 |
| A.2 Continued Airworthiness .....                                       | A-3 |
| A.3 Environmental Qualification Forms, GTX 330 Mode S Transponder ..... | A-5 |

APPENDIX B ASSEMBLY AND INSTALLATION DRAWINGS

APPENDIX C INTERCONNECT DRAWINGS

---

## LIST OF ILLUSTRATIONS

| FIGURE   | PAGE |
|--|------|
| 2-1 Antenna Installation Considerations .....                                      | 2-1  |
| 4-1 Rear Connector, J3301 .....  | 4-1  |
| 4-2 Dual GTX 330, Single Encoder, Serial Input Connections .....                   | 4-5  |
| 4-3 GTX 330, Software Update Connections .....                                     | 4-8  |
| 5-1 GTX 330 Front Panel.....   | 5-1  |
| A-1 GTX 330 Environmental Qualification Form.....                                  | A-6  |
| B-1 GTX 330 Outline Drawing .....  | B-1  |
| B-2 GTX 330 Connector/Rack Assembly Drawing .....                                  | B-3  |
| B-3 GTX 330 Recommended Panel Cutout Dimensions.....                               | B-5  |
| C-1 GTX 330 Typical Interconnect Wiring Diagram.....                               | C-1  |
| C-2 Dual TXP Interconnect Wiring Diagram, Encoding Altitude Connections.....       | C-3  |
| C-3 GTX 330 Interconnect Wiring Diagram, Altitude And Temperature Connections..... | C-5  |
| C-4 GTX 330 Interconnect Wiring Diagram, Discrete And Audio Connections .....      | C-7  |
| C-5 GTX 330 Interconnect Wiring Diagram, Serial Devices Connections .....          | C-9  |
| C-6 Dual GTX 330 Interconnect Wiring Diagram, Dual Display Connections .....       | C-11 |
| C-7 GTX 330/GTX 327 Interconnect Wiring Diagram, Dual Display Connections.....     | C-13 |
| C-8 GTX 330 Interconnect Wiring Diagram, Aircraft With TIS and TCAD/TCAS.....      | C-15 |

## LIST OF TABLES

| TABLE                                       | PAGE |
|---|------|
| 3-1 Pin Contact Part Numbers.....           | 3-1  |
| 3-2 Recommended Crimp Tools .....           | 3-1  |
| 4-1 P3301 Pin Assignments .....             | 4-1  |
| 4-2 Aircraft Power Pin Assignments.....     | 4-3  |
| 4-3 Aircraft Lighting Pin Assignments ..... | 4-3  |
| 4-4 Temperature Probe Pin Assignments.....  | 4-3  |
| 4-5 Encoded Altitude Pin Assignments .....  | 4-4  |
| 4-6 Discrete Outputs Pin Assignments.....   | 4-6  |
| 4-7 Discrete Inputs Pin Assignments .....   | 4-6  |
| 4-8 RS-232 Pin Assignments .....            | 4-7  |
| 4-9 ARINC 429 Pin Assignments.....          | 4-9  |

---

### **GTX 330 HARDWARE MOD LEVEL HISTORY**

The following table identifies hardware modification (Mod) Levels for the GTX 330 and GTX 330D Mode S Transponders. Mod Levels are listed with the associated service bulletin number, service bulletin date, and the purpose of the modification. The table is current at the time of publication of this manual (see date on front cover) and is subject to change without notice. Authorized Garmin Sales and Service Centers are encouraged to access the most up-to-date bulletin and advisory information on the Garmin Dealer Resource web site at [www.garmin.com](http://www.garmin.com) using their Garmin-provided user name and password.

| <b>MOD LEVEL</b> | <b>SERVICE BULLETIN NUMBER</b> | <b>SERVICE BULLETIN DATE</b> | <b>PURPOSE OF MODIFICATION</b>   |
|------------------|--------------------------------|------------------------------|--|
| <b>1</b>         | <b>0311</b>                    | <b>2-6-04</b>                | <b>GTX 330D Only. Switch/Diplexer Assembly reworked to prevent +200 volt supply line from shorting to the chassis.</b> |
|                  |                                |                              |  |
|                  |                                |                              |  |
|                  |                                |                              |  |
|                  |                                |                              |  |
|                  |                                |                              |  |



---

# 1. GENERAL DESCRIPTION

## 1.1 Introduction

This manual describes the physical, mechanical, and electrical characteristics and the installation requirements for the GTX 330 Mode S Transponder and GTX 330D Diversity Mode S Transponder. Throughout this manual, the term GTX 330 applies to both transponders unless otherwise stated. After installation of the GTX 330, FAA Form 337 must be completed by an appropriately certificated agency to return the aircraft to service.

## 1.2 Equipment Description

The Garmin GTX 330 is a panel mounted Non-Diversity Mode S Transponder while the GTX 330D is a Diversity Mode S Transponder. The GTX 330D employs two antennas, one intended to be mounted on the top and the other on the bottom of the aircraft. The design meets RTCA/DO-181C and EUROCAE ED-73A specifications.

The GTX 330 transponder is a radio transmitter and receiver that operates on radar frequencies, receiving ground radar or TCAS interrogations at 1030 MHz and transmitting a coded response of pulses to ground-based radar on a frequency of 1090 MHz. The GTX 330 is equipped with IDENT capability that activates the Special Position Identification (SPI) pulse for 18 seconds.

The GTX 330 replies to ATCRBS Mode A, Mode C and Mode S All-Call interrogation. Mode A replies consist of any one of 4,096 codes, which differ in the position and number of pulses transmitted. Mode C replies include framing pulses and encoded altitude. Mode S interrogations are selective. The Mode S transponders can respond to a single directed interrogation from the ground station or another aircraft.

The GTX 330 is a Level 2 transponder, providing downlink of aircraft information. Ground stations can interrogate Mode S Transponders individually using a 24-bit ICAO Mode S address, which is unique to the particular aircraft. In addition, ground stations may interrogate a GTX 330 for its Transponder data capability and the aircraft's Flight ID, which may be the registration number or other call sign. The GTX 330 makes the maximum airspeed capability (set via configuration pages, see Section 5) available to TCAS systems on-board nearby aircraft to aid in the determination of TCAS advisories.

In addition to displaying the code, reply symbol and mode of operation, the GTX 330 screen displays pressure altitude, density altitude, temperature, and timer functions, depending on equipment connections and configuration selection. The unit also features an altitude monitor, TIS traffic advisories and flight timers. A voice or tone audio output announces altitude deviation, TIS traffic advisory and count down timer expiration.

The GTX 330 features multiple transmit/receive ARINC 429 and RS-232 data ports. The unit concentrates data from three ARINC 429 inputs, gray code, RS-232 input data and discrete inputs to the high-speed ARINC 429 output bus used by display systems such as the Garmin 400 Series/500 Series units.

The GTX 330 is configured with all key controls. The layout of the front panel keys and displays segregates the transponder's primary functions from the secondary functions. The unit can be configured so the aircraft avionics master bus can turn the unit on.

Provision is made for unit software upgrade by means of RS-232 data through rear connector pins. If an optional connector is placed in the aircraft, transponder removal and reinstallation for SW upgrade is not required. The software can be changed while the unit is still mounted inside the aircraft.

---

|                |
|----------------|
| <b>CAUTION</b> |
|----------------|

The GTX 330 lens is coated with a special anti-reflective coating which is very sensitive to skin oils, waxes and abrasive cleaners. CLEANERS CONTAINING AMMONIA WILL HARM THE ANTI-REFLECTIVE COATING. It is very important to clean the lens using a clean, lint free cloth and an eyeglass lens cleaner that is specified as safe for anti-reflective coatings.

### **1.3 TIS System Capabilities**

The GTX 330 also provides uplink information such as Traffic Information Service (TIS). TIS is a ground-based service providing relative location of all ATCRBS Mode A and Mode C transponder equipped aircraft within a specified service volume. The TIS ground sensor uses real time track reports to generate traffic notification. TIS provides a graphic display of traffic advisory information in the cockpit for non-TCAS equipped aircraft.

Advisory traffic information is available to aircraft equipped with a Mode S data link such as the Garmin GTX 330 transponder. Advisory traffic information may be displayed on a Garmin 400/500 Series unit.

Surveillance data includes all transponder equipped aircraft within the coverage volume. Aircraft without an operating transponder are invisible to TIS. TIS displays traffic within seven nautical miles from 3000 feet below to 3500 feet above the requesting aircraft. The pilot sees the location, relative direction and altitude of other aircraft.

### **1.4 Mutual Suppression Pulses**

Other equipment on board the aircraft may transmit in the same frequency band as the transponder, such as DME or another transponder. Mutual suppression is a synchronous pulse that is sent to the other equipment to suppress transmission of a competing transmitter for the duration of the pulse train transmission. The transponder transmission may be suppressed by an external source and other equipment on board may be suppressed by the transponder. This feature is designed to limit mutual interference.

### **1.5 Interface Summary**

The GTX 330 provides the following interface connections via the rear connector:

- Ten (10) encoding altimeter inputs.
- External IDENT input.
- External STBY input (useful for dual transponder installations).
- External suppression pulse input.
- Switched power output of up to 1.5 amps (for digital altitude encoder power).
- Aircraft power input (11 to 33 volts).
- Aircraft dimming bus input voltage.

- 
- Aircraft master switch turn-on option.
  - Serial altitude or GPS groundspeed input.
  - Serial altitude input. (Reduces wire count vs. parallel wire gray code altimeter interface.)
  - Software update input.
  - Supports Comm-A and Comm-B protocol.
  - Temperature, Altitude Hold and Density Altitude.
  - Digitally recorded voice and discrete warning annunciator activated by Altitude Hold when limits are exceeded.
  - Diversity: GTX 330 is available with or without the diversity feature.

The GTX 330 supports the following list of Binary Data Selector (BDS) registers:

- BDS (0,0) Air Initiated Comm-B (AICB)
- BDS (1,0) Data Link Capability Report
- BDS (1,7) Common Usage Ground Initiated Comm-B (GICB) Capability Report
- BDS (1,8) Mode S Specific Services GICB Capability Report
- BDS (1,9) Mode S Specific Services GICB Capability Report
- BDS (1,D) Mode S Specific Services Protocols (MSP) Capability Report
- BDS (2,0) Aircraft Identification

BDS register information is presented for the installation agency to understand the functionality of the GTX 330, and make a determination that the unit complies with the requirements of their civil aviation authorities. No further wiring or configuration programming is required for the unit.

Note that BDS (3,0) is only required for transponders compatible with ACAS/TCAS II. The GTX 330 does not support BDS (3,0).

## 1.6 Technical Specifications

The following table presents general environmental specifications. For detailed specifications, see the Environmental Qualification form in Appendix A.

### 1.6.1 Electrical Specifications

| Specification              | Characteristic  |
|----------------------------|---|
| TSO, JTSO; GTX 330         | TSO-C112*, JTSO-2C112a.   |
| TSO, JTSO; GTX 330D        | TSO-C112*, JTSO-2C112a.   |
| TSO ENV CAT                | Refer to Appendix A   |
| FCC Authorization          | Emission Designator 12M0M1D   |
| Applicable Documents       | RTCA DO-160D, DO-181C, EuroCAE ED-73A   |
| Unit Software              | RTCA DO-178B Level D  |
| Temperature Range          | -45°C to +70°C (continuous operation)   |
| Power Requirements         | 11.0 to 33.0 Vdc; Power Input: 22 watts typical, 45 watts maximum   |
| Humidity                   | 95% @ +50°C for 6 hours; 85% @ +38°C for 16 hours; Tested to Category A in DO-160D  |
| Altitude                   | 55,000 Feet   |
| Transmitter Frequency      | 1090 MHz $\pm$ 1 MHz  |
| Transmitter Power          | 125 watts minimum, 250 watts nominal.   |
| Receiver Frequency         | 1030 MHz  |
| Receiver Sensitivity       | -74 dBm nominal for 90% replies   |
| Mode A Capability          | 4096 Identification Codes   |
| Mode C Altitude Capability | 100 Foot Increments from -1000 to 62,700 feet.  |
| Mode S Altitude Capability | 25 Foot Increments from -1000 to 50,175 feet with suitable serial data altitude. 100 Foot Increments from -1000 to 62,700 feet. |
| Mode S Capability          | Selective Identification Codes, Aircraft Type   |
| External Suppression Input | Low $\leq$ 0.5 V; High $\geq$ 8 V   |
| Audio Output               | 4.04 Vrms to 7.85 Vrms into a 500 $\Omega$ load   |

\* **Note:** Refer to Paragraph 1.6.3 Configurations Available, for TSO class.

## 1.6.2 Physical Characteristics

| Specification  | Characteristic        |
|--|-----------------------|
| Bezel Height   | 1.65 inches (42 mm)   |
| Bezel Width  | 6.25 inches (159 mm)  |
| Rack Height (Dimple to Dimple)   | 1.68 inches (43 mm)   |
| Rack Width   | 6.30 inches (160 mm)  |
| Depth Behind Panel with Connectors<br>(measured from face of aircraft panel to rear of connector backshells) | 11.25 inches (286 mm) |
| GTX 330/GTX 330D Unit Weight   | 3.4 lbs. (1.5 kg)     |
| GTX 330/GTX 330D Rack Weight<br>(Installed with rack and connectors)   | 4.2 lbs. (1.9 kg)     |

## 1.6.3 Configurations Available

| Model    | Catalog Part Number | Unit Part Number | Diversity | Front Panel Color | Install Kit/Docs* | TSO Class   |
|----------|---------------------|------------------|-----------|-------------------|-------------------|-------------|
| GTX 330  | 010-00230-00        | 011-00455-00     | No        | Black             | No                | 2A1 121 010 |
| GTX 330  | 010-00230-01        | 011-00455-00     | No        | Black             | Yes               | 2A1 121 010 |
| GTX 330  | 010-00230-20        | 011-00455-20     | No        | Gray              | No                | 2A1 121 010 |
| GTX 330  | 010-00230-21        | 011-00455-20     | No        | Gray              | Yes               | 2A1 121 010 |
| GTX 330D | 010-00293-00        | 011-00455-10     | Yes       | Black             | No                | 2A1 121 011 |
| GTX 330D | 010-00293-01        | 011-00455-10     | Yes       | Black             | Yes               | 2A1 121 011 |
| GTX 330D | 010-00293-20        | 011-00455-30     | Yes       | Gray              | No                | 2A1 121 011 |
| GTX 330D | 010-00293-21        | 011-00455-30     | Yes       | Gray              | Yes               | 2A1 121 011 |

\* **Note:** Documentation includes pilot's guide and warranty registration card.

---

## 1.6.4 Equipment Available

| Item  | Garmin P/N                              |
|---|---|
| Sub Assy, Connector Kit, GTX 330                            | 011-00583-00                            |
| SMP, Install Rack, GTX 330                                  | 115-00294-00                            |
| Sub Assy, Backplate, GTX 330                                | 011-00582-00<br>(For use with GTX 330)  |
| Sub Assy, Backplate, GTX 330D                               | 011-00582-01<br>(For use with GTX 330D) |
| Garmin GTX 330 Antenna kit*<br>(two required for diversity) | 010-10160-00                            |

\* **Note:** A transponder antenna approved to TSO C66( ) or C74( ) that has been installed to meet the requirements of this manual may be approved for use with the GTX 330.

## 1.6.5 Additional Equipment Required

- Antenna Sealant - Use antenna manufacturer's instructions, install according to FAA AC 43.13-1B and AC 43.13-2A.
- Cables - The installer will supply all system cables including circuit breakers. Cable requirements and fabrication is detailed in Section 2 of this manual.
- Hardware - #6-32 x 100° Flat Head Screw (6 ea.) and #6-32 Self-Locking Nut (6 ea.). Hardware required to mount the installation rack is not provided.
- Encoding Altitude Digitizer - Use encoding altimeter manufacturer's instructions, install according to FAA AC 43.13-1B and AC 43.13-2A. The Garmin GAE 43 (Garmin P/N 013-00066-00) can provide altitude data in either serial or parallel gray code format.

## 1.7 Installation Approval

The conditions and tests required for TSO approval of this article are minimum performance standards. It is the responsibility of those installing this article either on or within a specific type or class of aircraft to determine that the aircraft installation conditions are within the TSO standards. TSO articles must have separate approval for installation in an aircraft. The article may be installed only if performed under 14 CFR part 43 or the applicable airworthiness requirements. For GTX 330 TSO compliance and STC, see Appendix A. For antenna TSO compliance, refer to antenna manufacturer's literature.

---

## 1.8 Aircraft Station Licensing Requirements

The Telecommunications Act of 1996, effective February 8, 1996, provides the FCC discretion to eliminate radio station license requirements for aircraft and ships. The GTX 330 installation must comply with current transmitter licensing requirements. To find out the specific details on whether a particular installation is exempt from licensing, please visit the FCC web site <http://wireless.fcc.gov/aviation>.

If an aircraft license is required, make application for a license on FCC form 404, Application for Aircraft Radio Station License. The FCC also has a fax-on-demand service to provide forms by fax. The GTX 330 owner accepts all responsibility for obtaining the proper licensing before using the transponder.

|                |
|----------------|
| <b>CAUTION</b> |
|----------------|

The UHF transmitter in this equipment is guaranteed to meet federal communications commission acceptance over the operating temperature range. Modifications not expressly approved by Garmin could invalidate the license and make it unlawful to operate the equipment.

---

## 1.9 Limited Warranty

This Garmin product is warranted to be free from defects in materials or workmanship for two years from the date of purchase. Within this period, Garmin will at its sole option, repair or replace any components that fail in normal use. Such repairs or replacement will be made at no charge to the customer for parts or labor, provided that the customer shall be responsible for any transportation cost. This warranty does not cover failures due to abuse, misuse, accident or unauthorized alteration or repairs.

THE WARRANTIES AND REMEDIES CONTAINED HEREIN ARE EXCLUSIVE AND IN LIEU OF ALL OTHER WARRANTIES EXPRESS OR IMPLIED OR STATUTORY, INCLUDING ANY LIABILITY ARISING UNDER ANY WARRANTY OF MERCHANTABILITY OR FITNESS FOR A PARTICULAR PURPOSE, STATUTORY OR OTHERWISE. THIS WARRANTY GIVES YOU SPECIFIC LEGAL RIGHTS, WHICH MAY VARY FROM STATE TO STATE.

IN NO EVENT SHALL GARMIN BE LIABLE FOR ANY INCIDENTAL, SPECIAL, INDIRECT OR CONSEQUENTIAL DAMAGES, WHETHER RESULTING FROM THE USE, MISUSE, OR INABILITY TO USE THIS PRODUCT OR FROM DEFECTS IN THE PRODUCT. Some states do not allow the exclusion of incidental or consequential damages, so the above limitations may not apply to you.

Garmin retains the exclusive right to repair or replace the unit or software or offer a full refund of the purchase price at its sole discretion. SUCH REMEDY SHALL BE YOUR SOLE AND EXCLUSIVE REMEDY FOR ANY BREACH OF WARRANTY.

To obtain warranty service, contact your local Garmin Authorized Service Center. For assistance in locating a Service Center near you, call Garmin Customer Service at one of the numbers shown below.

Products sold through online auctions are not eligible for rebates or other special offers from Garmin. Online auction confirmations are not accepted for warranty verification. To obtain warranty service, an original or copy of the sales receipt from the original retailer is required. Garmin will not replace missing components from any package purchased through an online auction.

Garmin International, Inc.  
1200 East 151<sup>st</sup> Street  
Olathe, Kansas 66062, U.S.A.  
Phone: 913/397.8200  
FAX: 913/397.0836

Garmin (Europe) Ltd.  
Unit 5, The Quadrangle, Abbey Park Industrial Estate  
Romsey, SO51 9DL, U.K.  
Phone: 44/1794.519944  
FAX: 44/1794.519222



---

## 2 INSTALLATION OVERVIEW

### 2.1 Introduction

This section provides the necessary information for installing the GTX 330 Mode S Transponder, and where required, optional accessories. Installation of the GTX 330 will differ according to equipment location and other factors. Cabling will be fabricated by the installing agency to fit these various requirements. Sections 3 and 4 contain interconnect wiring diagrams, mounting dimensions, and information pertaining to installation. Each installation shall be accomplished to meet the requirements of FAA AC 43.13-1B and AC 43.13-2A.

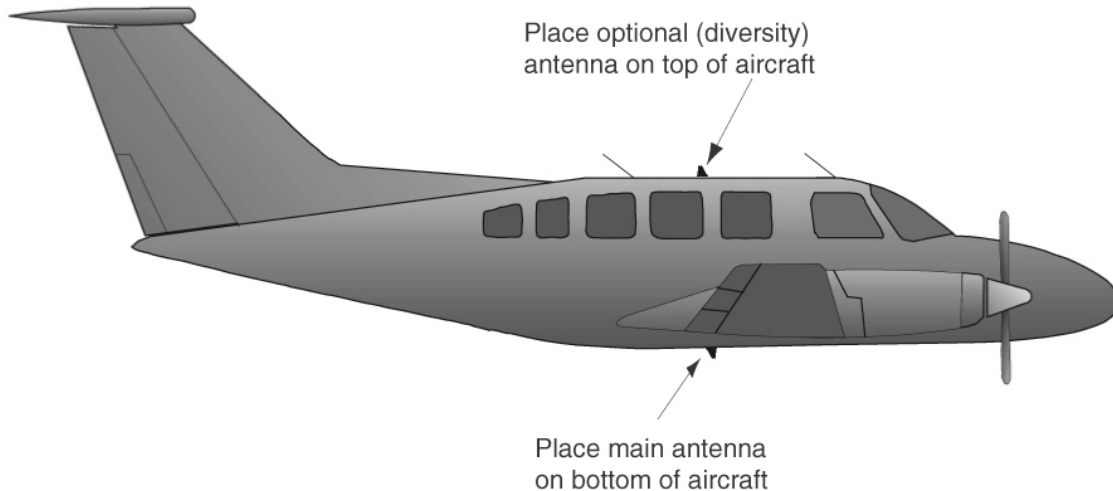
### 2.2 Unpacking and Inspecting Equipment

Carefully unpack the equipment and make a visual inspection of the unit for evidence of damage incurred during shipment. If the unit is damaged, notify the carrier and file a claim. To justify a claim, save the original shipping container and all packing materials. Do not return the unit to Garmin until the carrier has authorized the claim.

Retain the original shipping containers for storage. If the original containers are not available, a separate cardboard container should be prepared that is large enough to accommodate sufficient packing material to prevent movement.

### 2.3 Antenna Installation

#### 2.3.1 Location Considerations



**Figure 2-1. Antenna Installation Considerations**

- A. The antenna(s) (Garmin P/N 010-10160-00) should be mounted away from major protrusions, such as engine(s), propeller(s), and antenna masts. It should also be as far as practical from landing gear doors, access doors, or other openings that could effect its radiation pattern.

- 
- B. The main antenna should be mounted vertically on the bottom of the aircraft. The optional second (diversity) antenna should be mounted vertically on top of the aircraft. Horizontal separation must be no more than 7.6 meters (25 feet).
  - C. Avoid mounting the antenna within three feet of the ADF sense antenna or any other communication antenna and six feet from the DME antenna.
  - D. To prevent RF interference, the antenna must be physically mounted a minimum distance of three feet from the GTX 330.

**NOTE**

If the antenna is being installed on a composite aircraft, ground planes must be considered. Conductive wire mesh, radials, or thin aluminum sheets embedded in the composite material provide the proper ground plane allowing the antenna pattern (gain) to be maximized for optimum transponder performance.

### **2.3.2 Antenna Installation**

Install the antenna according to the antenna manufacturer's instructions and FAA AC 43.13-1B and AC 43.13-2A.

## **2.4 Installation Approval Considerations for Pressurized Aircraft**

Antenna and cable installations on pressurized cabin aircraft require FAA approved installation design and engineering substantiation data whenever such installations incorporate alteration (penetration) of the cabin pressure vessel by connector holes and/or mounting arrangements.

For needed engineering support pertaining to the design and approval of such pressurized aircraft antenna installations, it is recommended that the installer proceed according to any of the following listed alternatives:

1. Obtain approved antenna installation design data from the aircraft manufacturer.
2. Obtain an FAA approved Supplemental Type Certificate (STC) pertaining to and valid for the subject antenna installation.
3. Contact the FAA Aircraft Certification Office in the appropriate Region and request identification of FAA Designated Engineering Representatives (DERs) who are authorized to prepare and approve the required antenna installation engineering data.
4. Obtain FAA Advisory Circular AC-183C and select (and contact) a DER from the roster of individuals identified thereunder.
5. Contact an aviation industry organization such as the Aircraft Electronics Association and request their assistance.

## 2.5 Cabling and Wiring

Use AWG #24 or larger wire for all connections unless otherwise specified by the aircraft manufacturer or Garmin. The standard pin contacts supplied in the connector kit are compatible with up to AWG #22 wire. In cases where some installations have more than one unit sharing a common circuit breaker, sizing and wire gauge is based on aircraft circuit breaker layout, length of wiring, current draw of units, and internal unit protection characteristics. Do not attempt to combine more than one unit on the same circuit breaker unless it is specified on aircraft manufacturer approved drawings.

In some cases, a larger gauge wire such as AWG #18 or #16 may be needed for power connections. If using #16 or #18 barrel contacts, ensure that no two contacts are mounted directly adjacent to each other. This minimizes the risk of contacts touching and shorting to adjacent pins or to ground.

Ensure that routing of the wiring does not come in contact with sources of heat, RF or EMI interference. Check that there is ample space for the cabling and mating connectors. Avoid sharp bends in cabling and routing near aircraft control cables.

When routing antenna cables, observe the following precautions:

- All cable routing should be kept as short and direct as possible.
- Avoid routing cables near power sources (e.g., 400 Hz generators, trim motors, etc.) or near power for fluorescent lighting.
- Avoid routing cable near ADF antenna cable (allow at least a 12-inch separation).

The following table lists examples of the recommended antenna cable vendors and the type of cable to be used for specific lengths of cable. Any cable meeting specifications is acceptable for the installation.

The maximum coaxial cable attenuation at 1090 MHz must not exceed 1.5 dB. In the diversity installation the cable characteristics must be the same to within  $\pm 0.1$  dB. (Top and bottom cables of the same length should have approximately the same characteristics.)

| Max. Length (feet)          | ECS Type   | MIL-C-17 Type  | RG Type  |
|-----------------------------|--|--|--|
| 8.8                         |  | M17/128  | RG400  |
| 10.0                        | 3C142B   |  |  |
| 12.5                        |  | M17/112  | RG304  |
| 17.0                        | 311601   | M17/127  | RG393  |
| 21.0                        | 311501   |  |  |
| 27.0                        | 311201   |  |  |
| 41.0                        | 310801   |  |  |
| <b>Supplier Information</b> | Vendor: Electronic Cable Specialists<br>5300 W. Franklin Drive<br>Franklin, WI 53132<br>Tel: 800-327-9473<br>414-421-5300<br>Fax: 414-421-5301<br><a href="http://www.ecsdirect.com">www.ecsdirect.com</a> | MIL-C-17 types: See current issue of Qualified Products List QPL-17. | RG types: See current issue of Qualified Products List QPL-17. |

---

## 2.6 Cooling Air

The GTX 330 meets all applicable TSO requirements without forced air cooling. The application of forced air cooling to the rear air nozzle of the GTX 330 is highly recommended to provide beneficial cooling to the unit.

The GTX 330 was designed to handle a constant interrogation of 450 Pulse Repetition Frequency (PRF) per second, with short periods of 1200 PRF. Rate limit is set at 1200 PRF. A typical radar site would interrogate the transponder once every 5 to 10 seconds for approximately 100 milliseconds at a 400 PRF rate. In very high traffic areas with multiple ground stations and TCAS traffic it is possible to have long term PRF rates above 450 PRF.

## 2.7 GTX 330 Installation

**NOTE**

Avoid installing the unit near heat sources. If this is not possible, insure that additional cooling is provided. Allow adequate space for installation of cables and connectors. The installer will supply and fabricate all of the cables. All wiring must be in accordance with FAA AC 43.13-1B and AC 43.13-2A.

1. Assemble the connector/rack kit according to Figure B-2. Install the rack assembly according to the dimensions given in Figure B-1 and paragraph 1.6.2, Physical Characteristics. Mounting brackets are not supplied due to the wide range of mounting configurations available. Suitable mounting brackets may be fabricated from sheet metal or angle stock. To insure a sturdy mount, rear support for the unit must be provided.
2. Looking at the bottom of the transponder, make sure the front lobe of the locking mechanism is in a vertical position. This can be accomplished by using a 3/32" Allen wrench through the face plate.
3. Slide the unit into the rack until the front lobe of the unit touches the rack.
4. Turn the Allen wrench clockwise until unit is secured in the rack. Continue turning until tight. Do not overtighten the screw.
5. To remove the unit from the rack, turn the 3/32" Allen wrench counterclockwise until it disengages from the rack.

### 3 INSTALLATION PROCEDURE

#### 3.1 Antenna Installation

Install the antenna according to the antenna manufacturer's instructions and FAA AC 43.13-1B and AC 43.13-2A.

The antenna cable requires a BNC plug connector on both ends. Follow BNC connector manufacturer instructions for assembly of the BNC connector.

#### 3.2 Electrical Connections

All electrical connections, except for the antenna(s) and shield ground, are made through a single, 62 pin D-subminiature connector (see Figure 4-1). The card-edge connector may be used to terminate shield grounds to the GTX 330 back plate. Table 4-1 lists the electrical connections of all input and output signals. . See Appendix C for interconnect wiring diagrams and cable requirements for each signal. Required connector and associated hardware are supplied in the connector kit (P/N 011-00583-00).

**CAUTION**

Check wiring connections for errors before inserting the GTX 330 into the rack. Incorrect wiring could cause internal component damage.

**Table 3-1. Pin Contact Part Numbers**

| Manufacturer | 62 pin D-Subminiature connector (P3301) |                        |              |               |
|--------------|---|------------------------|--------------|---------------|
|              | 16 AWG<br>(Power Only)                  | 18 AWG<br>(Power Only) | 20 AWG       | 22-28 AWG     |
| Garmin P/N   | 336-00044-01                            | 336-00044-00           | 336-00044-02 | 336-00021-00  |
| Military P/N | N/A                                     | N/A                    | N/A          | M39029/58-360 |
| AMP          | N/A                                     | N/A                    | N/A          | 204370-2      |
| Positronic   | N/A                                     | N/A                    | N/A          | MC8522D       |
| ITT Cannon   | N/A                                     | N/A                    | N/A          | 030-2042-000  |

**Table 3-2. Recommended Crimp Tools**

| Manufacturer | Hand Crimping Tool | 16, 18 & 20 AWG |   | 22-28 AWG    |                                  |
|--------------|--------------------|-----------------|---|--------------|----------------------------------|
|              |                    | Positioner      | Insertion/<br>Extraction Tool<br>(note 2) | Positioner   | Insertion/<br>Extraction<br>Tool |
| Military P/N | M22520/2-01        | N/A             | M81969/1-04                               | M22520/2-09  | M81969/1-04                      |
| Positronic   | 9507               | 9502-11         | M81969/1-04                               | 9502-3       | M81969/1-04                      |
| ITT Cannon   | 995-0001-584       | N/A             | N/A                                       | 995-0001-739 | N/A                              |
| AMP          | 601966-1           | N/A             | 91067-1                                   | 601966-6     | 91067-1                          |
| Daniels      | AFM8               | K774            | M81969/1-04                               | K42          | M81969/1-04                      |
| Astro        | 615717             | N/A             | M81969/1-04                               | 615725       | M81969/1-04                      |

---

|              |
|--------------|
| <b>NOTES</b> |
|--------------|

1. Non-Garmin part numbers shown are not maintained by Garmin and consequently are subject to change without notice.
2. Extracting the #16, #18 and #20 contact requires that the expanded wire barrel be cut off from the contact. It may also be necessary to push the pin out from the face of the connector when using an extractor due to the absence of the wire. A new contact must be used when reassembling the connector.

### **3.3 Post Installation Checkout**

After the installation is complete, refer to Section 5 for system configuration.

Verify proper operation of the transponder by testing in accordance with Appendix F to 14 CFR Part 43 – ATC Transponder Tests and Inspections.

## 4 SYSTEM INTERCONNECTS

### 4.1 Pin Function List

#### 4.1.1 J3301

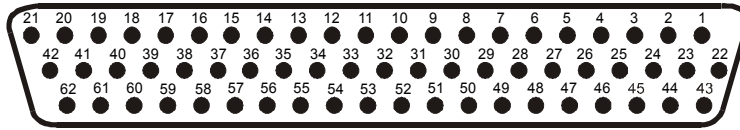


Figure 4-1. Rear Connector, J3301

Table 4-1. P3301 Pin Assignments

| Pin | Pin Name                   | I/O |
|-----|----------------------------|-----|
| 1   | AVIONICS MASTER ON SELECT  | In  |
| 2   | ALTITUDE A1                | In  |
| 3   | ALTITUDE C2                | In  |
| 4   | ALTITUDE A2                | In  |
| 5   | ALTITUDE A4                | In  |
| 6   | ALTITUDE C4                | In  |
| 7   | ALTITUDE B1                | In  |
| 8   | ALTITUDE C1                | In  |
| 9   | ALTITUDE B2                | In  |
| 10  | ALTITUDE B4                | In  |
| 11  | ALTITUDE D4                | In  |
| 12  | EXTERNAL IDENT SELECT*     | In  |
| 13  | EXTERNAL STANDBY SELECT*   | In  |
| 14  | 28 V LIGHTING BUS HI       | In  |
| 15  | AUDIO OUT HI               | Out |
| 16  | AUDIO OUT LO               | Out |
| 17  | SQUAT SWITCH IN            | In  |
| 18  | RESERVED                   | --  |
| 19  | ALTITUDE ALERT ANNUNCIATE* | Out |
| 20  | RESERVED                   | --  |
| 21  | AIRCRAFT POWER 1           | In  |
| 22  | RS-232 IN 1                | In  |
| 23  | RS-232 OUT 1               | Out |
| 24  | RS-232 IN 2                | In  |
| 25  | RS-232 OUT 2               | Out |
| 26  | ARINC 429 IN 3 A           | In  |
| 27  | POWER GROUND               | --  |
| 28  | ARINC 429 OUT 2 B          | Out |
| 29  | ARINC 429 IN 3 B           | In  |
| 30  | ARINC 429 OUT 2 A          | Out |
| 31  | EXTERNAL SUPPRESSION I/O   | I/O |

\* Denotes Active Low (Ground to activate).

**Table 4-1. P3301 Pin Assignments (Cont'd)**

| <b>Pin</b> | <b>Pin Name</b>               | <b>I/O</b> |
|------------|-------------------------------|------------|
| 32         | ARINC 429 IN 1 A              | In         |
| 33         | ARINC 429 IN 2 A              | In         |
| 34         | ARINC 429 OUT 1 B             | Out        |
| 35         | ARINC 429 IN 1 B              | In         |
| 36         | ARINC 429 IN 2 B              | In         |
| 37         | ARINC 429 OUT 1 A             | Out        |
| 38         | RESERVED                      | --         |
| 39         | RESERVED                      | --         |
| 40         | SPARE                         | --         |
| 41         | CURRENT TEMPERATURE PROBE OUT | Out        |
| 42         | AIRCRAFT POWER 1              | In         |
| 43         | POWER GROUND                  | --         |
| 44         | CURRENT TEMPERATURE PROBE IN  | In         |
| 45         | 14 V/5 V LIGHTING BUS HI      | In         |
| 46         | TIS CONNECT SELECT*           | In         |
| 47         | AUDIO MUTE SELECT*            | --         |
| 48         | ARINC 429 IN 4 A              | In         |
| 49         | ARINC 429 IN 4 B              | In         |
| 50         | ALTITUDE COMMON (GROUND)      | In         |
| 51         | RESERVED                      | --         |
| 52         | RESERVED                      | --         |
| 53         | RESERVED                      | In         |
| 54         | RESERVED                      | --         |
| 55         | SPARE                         | --         |
| 56         | AIRCRAFT POWER 2              | In         |
| 57         | SPARE                         | --         |
| 58         | RESERVED                      | --         |
| 59         | SPARE                         | --         |
| 60         | AIRCRAFT POWER 2              | In         |
| 61         | SPARE                         | --         |
| 62         | SWITCHED POWER OUT            | Out        |

\* Denotes Active Low (Ground to activate).



---

## 4.2 Power and Lighting Function

Power Input requirements and Lighting Bus input are listed in the following tables. The power-input pins accept 11-33 Vdc. AIRCRAFT POWER 2 is for connecting to an alternate power source, such as on aircraft with two electrical buses. Switched Power Out is a power source available for devices such as a remote digital altitude encoder. Refer to Figure C-1 for power and lighting interconnections.

### 4.2.1 Aircraft Power

**Table 4-2. Aircraft Power Pin Assignments**

| Pin Name           | Pin Number | I/O |
|--------------------|------------|-----|
| AIRCRAFT POWER 1   | 21         | In  |
| AIRCRAFT POWER 1   | 42         | In  |
| AIRCRAFT POWER 2   | 56         | In  |
| AIRCRAFT POWER 2   | 60         | In  |
| SWITCHED POWER OUT | 62         | Out |
| POWER GROUND       | 27         | --  |
| POWER GROUND       | 43         | --  |

### 4.2.2 Lighting Bus

The GTX 330 unit can be configured to track a 28 Vdc, 14 Vdc, 5 Vdc or 5 Vac lighting bus using these inputs. The GTX 330 can also automatically adjust for ambient lighting conditions based on the photocell. Refer to Sections 5.2.5 and 5.2.6 for lighting configuration.

**Table 4-3. Aircraft Lighting Pin Assignments**

| Pin Name                 | Pin Number | I/O |
|--------------------------|------------|-----|
| 14 V/5 V LIGHTING BUS HI | 45         | In  |
| 28 V LIGHTING BUS HI     | 14         | In  |

### 4.3 Temperature Inputs

**Table 4-4. Temperature Probe Pin Assignments**

| Pin Name                      | Pin Number | I/O |
|-------------------------------|------------|-----|
| CURRENT TEMPERATURE PROBE OUT | 41         | Out |
| CURRENT TEMPERATURE PROBE IN  | 44         | In  |

Temperature input is used for Outside Air Temperature (OAT) display and Density Altitude computations. The type of temperature probe required is a current sensor type, such as an EDMO P/N 655-PROBE or Davtron P/N C307PS. Connect the red wire to pin 41 and the black wire to pin 44. The GTX 330 is not configurable for different types of temperature sensors. The temperature-input specification is 1 microamp per degree Kelvin (1  $\mu\text{A}/^\circ\text{K}$ ). Refer to Figure C-3 for the temperature probe interconnect and to Section 5.2.11 for probe configuration.

---

## 4.4 Altitude Functions

Parallel gray code altitude inputs are considered active if either the voltage to ground is < 1.9 V or the resistance to ground is < 375  $\Omega$ . These inputs are considered inactive if the voltage to ground is 11-33 Vdc. Refer to Figures C-2 and C-3 for parallel gray code and Figure C-3 for serial data altitude interconnections. Carefully check encoder input lines for correct connection after wiring is complete.

### NOTES

The GTX 330 contains internal altitude code line isolation diodes to prevent the unit from pulling the encoder lines to ground when the transponder is turned off.

For altimeters that can be connected in both serial data and parallel gray code format, such as the Garmin GAE 43 (Garmin P/N 013-00066-00), select one or the other but not both wiring connections.

Among the surveillance items the Mode S transponder will transmit to the ground stations and other aircraft are altitude reporting in 25' increments with the proper encoder. In order to report altitude in 25 foot increments the GTX 330 must receive altitude from suitable altitude reporting devices through serial input connections. Altitude input to the GTX 330 received from parallel wire gray code encoders is supplied to the unit in 100 foot increments and thus reported in 100 foot increments.

### 4.4.1 Altimeter Inputs

**Table 4-5. Encoded Altitude Pin Assignments**

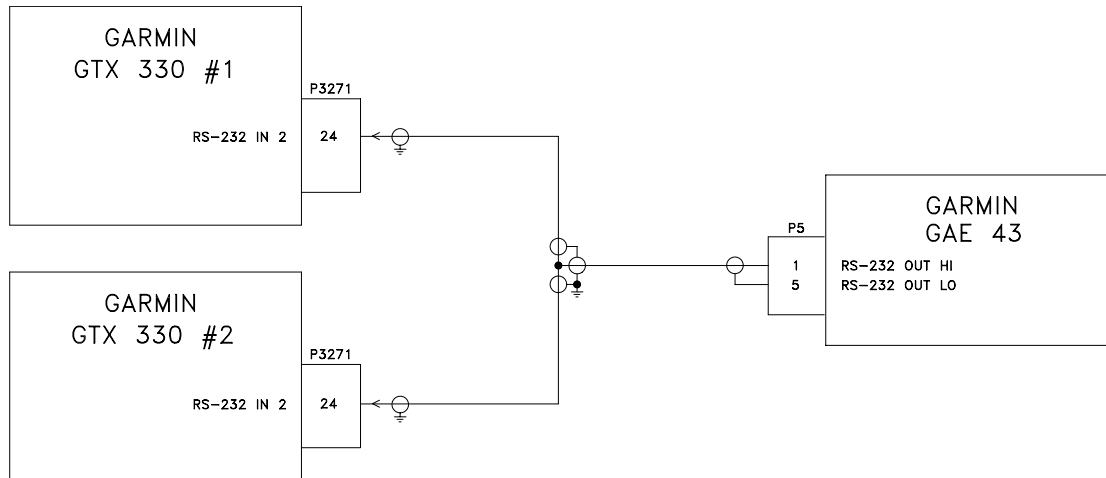
| Pin Name        | Pin Number | I/O |
|-----------------|------------|-----|
| ALTITUDE D4     | 11         | In  |
| ALTITUDE A1     | 2          | In  |
| ALTITUDE A2     | 4          | In  |
| ALTITUDE A4     | 5          | In  |
| ALTITUDE B1     | 7          | In  |
| ALTITUDE B2     | 9          | In  |
| ALTITUDE B4     | 10         | In  |
| ALTITUDE C1     | 8          | In  |
| ALTITUDE C2     | 3          | In  |
| ALTITUDE C4     | 6          | In  |
| ALTITUDE COMMON | 50         | --  |
| RS-232 IN 2     | 24         | In  |

### 4.4.2 Altimeter Calibration and Checkout

Refer to Section 5.2.14 for the gray code altitude checkout.

### 4.4.3 Altimeter Interconnect, Dual GTX 330 Installation

Refer to Figure C-2 for dual GTX 330 gray code altimeter interconnections. A dual GTX 330 installation can accept either parallel wire gray code altimeter input or RS-232 serial data input as shown in Figure 4-2. If transponder number 2 is a Garmin GTX 327, connect the RS-232 output from the altitude encoder to J3271 pin 19 (refer to GTX 327 Transponder Installation Manual, P/N 190-00187-02).



**Figure 4-2. Dual GTX 330, Single Encoder, Serial Input Connections**

For complete dual installations containing two encoders, it is best to connect one encoder to each transponder.

### 4.4.4 Altimeter Selection Priority

The installer must be aware of the GTX 330 priority for selecting encoded altimeter interconnections. The GTX 330 searches in this sequence for altitude, and stops when it finds a valid pressure altitude input.

Only approved devices may provide altitude to the GTX 330 in accordance with 14 CFR Part 91.217. In addition, all altitude reporting devices installed in the aircraft must meet certification requirements of 14 CFR Part 91.413. The installer must select an altitude reporting device that is a certified altitude source for the particular aircraft.

Altitude reporting equipment order of precedence:

- 1) ARINC 429 Air Data Computer (label 203, if configured W/ALT) (25')
- 2) ARINC 429 EFIS (label 203, if configured W/ALT) (25')
- 3) RS-232 Fuel/Air Data Computer (if configured W/ALT.) (25')
- 4) Parallel wire Gray Code input (100')
- 5) Shadin Altitude Serializer/Encoder (100'/25')
- 6) Icarus Altitude Serializer/Encoder (100'/25')

It is the installing agency's responsibility to determine that the installed encoder is compatible with the selected altitude reporting criteria, either 100' or 25'. Refer to Section 5.2.8 and 5.2.9 for the altitude data reporting configuration.

---

## 4.5 Discrete Functions

### 4.5.1 Discrete Outputs

**Table 4-6. Discrete Outputs Pin Assignments**

| Pin Name                   | Pin Number | I/O    |
|----------------------------|------------|--------|
| ALTITUDE ALERT ANNUNCIATE* | 19         | Out    |
| EXTERNAL SUPPRESSION I/O   | 31         | In/Out |

\* This output is considered active if either the voltage to ground is < 1.9 V or the resistance to ground is < 375  $\Omega$ . This output is considered inactive if the voltage to ground is 11-33 Vdc.

### 4.5.2 Discrete Inputs

**Table 4-7. Discrete Inputs Pin Assignments**

| Pin Name                 | Pin Number | I/O |
|--------------------------|------------|-----|
| EXTERNAL IDENT SELECT*   | 12         | In  |
| EXTERNAL STANDBY SELECT* | 13         | In  |
| SQUAT SWITCH IN          | 17         | In  |
| TIS CONNECT SELECT*      | 46         | In  |
| AUDIO MUTE SELECT*       | 47         | In  |

\* These inputs are considered active if either the voltage to ground is < 1.9 V or the resistance to ground is < 375  $\Omega$ . These inputs are considered inactive if the voltage to ground is 11-33 Vdc.

EXTERNAL IDENT SELECT (remote IDENT) is a momentary input.

Refer to Figure C-4 for the squat switch interconnect and to Sections 5.2.10. and 5.2.15 for the squat switch configuration.

EXTERNAL STANDBY SELECT (remote STANDBY) is a momentary input used when two GTX 330 systems are installed in an aircraft. Refer to Figures C-2, C-4, C-6 and C-7 for the EXTERNAL STANDBY SELECT interconnect and to Sections 5.2.15 for verifying external standby configuration. When EXTERNAL STANDBY SELECT is grounded, ARINC 429 OUT PORT 1 remains active, while PORT 2 is inactive.

When TIS CONNECT SELECT is inactive ("Standby" is displayed on the 400/500 Series units) the GTX 330 logs onto TIS service when a momentary ground is applied to P3301-46. When TIS is active, a momentary ground logs off of TIS service. Refer to Figures C-1, C-4, C-6 and C-8 for TIS CONNECT SELECT connections and to Sections 5.2.2. and 5.2.3 for TIS configuration.

An AUDIO MUTE SELECT mute switch may be used to control TIS audio alerts. TIS (Traffic) Mute must be clearly marked with MUTE ON/MUTE OFF or TIS Audio ON/Audio OFF labels. The muting feature may be enabled through a Multi-Function display. In order to prevent inadvertent muting, the status of muting must default to "Mute off" upon each power cycle. Refer to Figures C-1, C-4 and C-8 for AUDIO MUTE SELECT connections and to Sections 5.2.2. and 5.2.3. for AUDIO configuration.

---

## 4.6 Serial Data Electrical Characteristics

The GTX 330 can be configured to include GPS, Airdata, AHRS, EFIS/Airdata, and ADLP ARINC 429 inputs, functioning as an ARINC 429 data concentrator.

Since the Garmin 400/500 Series products have only two ARINC 429 input ports, the GTX 330 manages support for several equipment interfaces. The GTX 330 has four ARINC 429 input ports, making it capable of taking altitude, air data, heading, EFIS selected course and possible future features, and then concentrating it on the ARINC 429 OUT 2 port. This line is then wired to an ARINC 429 input port on the 400/500 Series products. TIS data is included on the same high-speed ARINC 429 bus.

Airborne Data Link Processor (ADLP) is reserved for future data link applications. ADLP requires an ARINC 429 input and output. The ADLP interface allows the Mode S data link transponder to function as a modem. An ADLP performs functions requiring sending and/or receiving data from ground sensors via Mode S interrogations and replies.

|             |
|-------------|
| <b>NOTE</b> |
|-------------|

The GTX 330 is currently FAA approved to display TIS traffic information on Garmin 400/500 Series products only.

### 4.6.1 RS-232 Input/Output

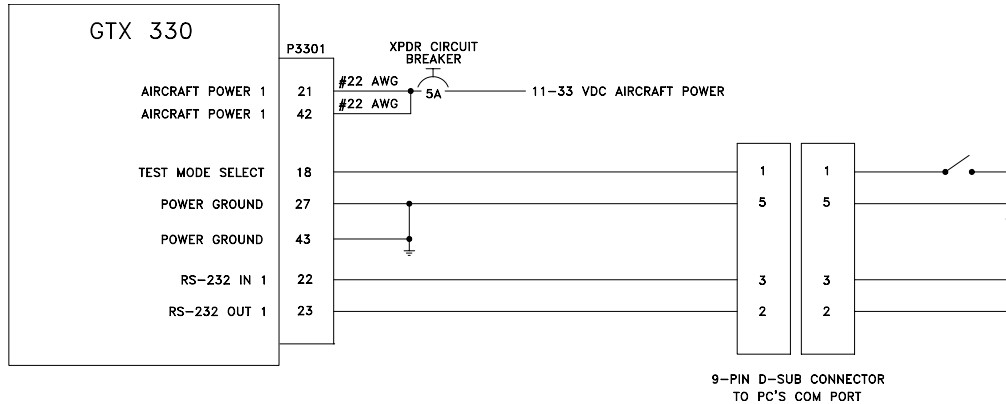
**Table 4-8. RS-232 Pin Assignments**

| Pin Name     | Pin Number | I/O |
|--------------|------------|-----|
| RS-232 OUT 1 | 23         | Out |
| RS-232 IN 1  | 22         | In  |
| RS-232 OUT 2 | 25         | Out |
| RS-232 IN 2  | 24         | In  |

The RS-232 outputs conform to EIA Standard RS-232C with an output voltage swing of at least  $\pm 5$  V when driving a standard RS-232 load. Refer to Figures 4-3, C-3, C-5 and C-8 for the RS-232 serial data interconnect and to Sections 5.2.9 and 5.2.17 for RS-232 serial data configuration.

## 4.6.2 RS-232 Input/Output, Software Update Connections

An optional RS-232 serial data connector may be installed in the aircraft for future software upgrades, negating the need to remove the transponder from the panel. The connector can be mounted anywhere convenient for access, such as under the instrument panel, on a remote avionics shelf or in the instrument panel itself. Be sure to label the connector for Software Update. Do not include the Test Mode Select switch in the aircraft. See Figure 4-3 for software update connections.



**Figure 4-3. GTX 330, Software Update Connections**

## 4.6.3 Aircraft with Both TIS and TCAS/TCAD Installed

Refer to Figure C-8 for wiring connections. If redundant traffic systems are desired in the aircraft, such as TIS and TCAD/TCAS, both systems cannot be connected to the same 400/500 Series unit to display traffic simultaneously. In a multiple traffic system/multiple 400/500 Series unit installation, connect ARINC 429 CHANNEL 1 from the GTX 330 to only one of the 400/500 Series units and ARINC 429 CHANNEL 2 to the other 400/500 Series unit.

Connect the TIS CONNECT SELECT line from the GTX 330 to the 400/500 Series unit receiving TIS data. The TCAD/TCAS system may now be connected to the second 400/500 Series unit.

Refer to Section 5 for configuration. Configure ARINC 429 output CHANNEL 1 for GARMIN W/TIS and ARINC 429 output CHANNEL 2 for GARMIN. TIS is then enabled over CHANNEL 1 when the GTX 330 is connected to a Garmin 400/500 Series unit through the ARINC 429 wiring.

All configured input data that is concentrated through the GTX 330 via ARINC 429 lines, is received in the second 400/500 Series unit via ARINC 429 CHANNEL 2 while the GTX 330 is active. No data is received over ARINC 429 CHANNEL 2 while the GTX 330 is in remote standby. (Remote standby is usually used as part of a dual transponder installation.)

---

#### 4.6.4 ARINC 429 Input/Output

The ARINC 429 Output 2 port, J3301 pins 30 and 28, is at a high-impedance when in remote standby, therefore not active. When two GTX 330s are installed, the two ARINC 429 Output 2 ports may be hard wired together since the EXTERNAL STANDBY SELECT input is active for only one of the two GTX 330s at any given time.

The GTX 330 ARINC 429 Output 1 port is active when J3301 pin 13 is grounded [EXTERNAL STANDBY SELECT (remote STANDBY)]. In installations having a transponder combination of GTX 330/GTX 327 (or GTX 330/other transponder), the GARMIN and GARMIN W/TIS formats from the ARINC 429 Output 1 port, J3301 pins 34 and 37, are available if the GTX 330 has SW 3.03 and above.

**Table 4-9. ARINC 429 Pin Assignments**

| <b>Pin Name</b>  | <b>Pin Number</b> | <b>I/O</b> |
|------------------|-------------------|------------|
| ARINC 429 OUT 1A | 37                | Out        |
| ARINC 429 OUT 1B | 34                | Out        |
| ARINC 429 IN 1A  | 32                | In         |
| ARINC 429 IN 1B  | 35                | In         |
| ARINC 429 IN 2A  | 33                | In         |
| ARINC 429 IN 2B  | 36                | In         |
| ARINC 429 OUT 2A | 30                | Out        |
| ARINC 429 OUT 2B | 28                | Out        |
| ARINC 429 IN 3A  | 26                | In         |
| ARINC 429 IN 3B  | 29                | In         |
| ARINC 429 IN 4A  | 48                | In         |
| ARINC 429 IN 4B  | 49                | In         |

The ARINC 429 outputs conform to ARINC 429 electrical specifications when loaded with up to 5 standard ARINC 429 receivers. Refer to Figures C-1, C-5, C-6, C-7 and C-8 for the ARINC 429 serial data interconnect and Sections 5.2.8 and 5.2.18 for ARINC 429 serial data configuration.

---

This page intentionally left blank



---

## 5 POST INSTALLATION CONFIGURATION AND CHECKOUT PROCEDURE

Perhaps the most important factor in the GTX 330 transponder configuration and checkout is the Mode S address entry. Refer to Section 5.2.12 for Mode S address entry pages.

### CAUTION

Be sure to check all aircraft control movements before flight is attempted to insure that the wiring harness does not touch any moving part.

Verify proper operation of the transponder during a flight test under VFR conditions. If the unit detects an internal failure mode the word FAIL is displayed on the screen.

Make sure an approved device is installed for reporting altitude in accordance with 14 CFR Part 91.217. Refer to Section 4.4.4 for altimeter data selection priority.

### 5.1 Operation

### NOTE

The coverage you can expect from the GTX 330 is limited to line of sight. Low altitude or antenna shielding by the aircraft itself may result in reduced range. Range can be improved by climbing to a higher altitude. It may be possible to minimize antenna shielding by locating the antenna where dead spots are only noticed during abnormal flight attitudes.



Figure 5-1. GTX 330 Front Panel

### NOTE

The GTX 330 should be turned off before starting aircraft engine(s).

---

## 5.1.1 Function Selector Switches

The function selection switches are:

- OFF — Powers off the GTX 330. Pressing the STBY, ON or ALT key powers on the transponder displaying the last active identification code.
- STBY — Selects the standby mode. When in standby mode, the transponder does not reply to any interrogations.
- ON — Selects Mode A and Mode S. In this mode, the transponder replies to Mode A, Mode C and Mode S interrogations, as indicated by the Reply Symbol (“**R**”), but the replies do not include altitude information.
- ALT — Selects Mode A, Mode C and Mode S. In ALT mode, the transponder replies to identification, altitude and Mode S interrogations as indicated by the Reply Symbol (“**R**”). Replies to altitude interrogations include the standard pressure altitude received from an external altitude source, which is not adjusted for barometric pressure. The ALT mode may be selected in aircraft not equipped with an optional altitude encoder; however, the reply signal does not include altitude information.

### NOTE

Any time the function switch is in the ON or ALT position the transponder becomes an active part of the Air Traffic Control Radar Beacon System (ATCRBS). The transponder also responds to interrogations from TCAS equipped aircraft.

- IDENT — Pressing the IDENT key activates the Special Position Identification (SPI) Pulse for 18 seconds, identifying the transponder return from others on an air traffic controller’s screen. During the IDENT period the word ‘IDENT’ appears in the upper left corner of the display.
- VFR — Sets the transponder code to the pre-programmed VFR code selected in Configuration Mode (Set to 1200 at the factory). Pressing the VFR key again restores the previous identification code.
- FUNC — Changes the page shown on the right side of the display. Display data includes Pressure Altitude, Flight Time, Altitude Monitor, Count Up and Count Down timers. In the Configuration Mode, steps through the function pages.
- START/STOP — Starts and stops the Altitude Monitor, Count Up, Count Down and Flight timers. In configuration mode, steps through functions in reverse.
- CRSR — Initiates entry of the starting time for the Count Down timer and cancels transponder code entry. Selects changeable fields in Configuration Mode.
- CLR — Resets the Count Up, Count Down and Flight timers. Cancels the previous keypress during code selection and Count Down entry. Used in Configuration Mode.

- 
- 8 — Reduces Contrast and Display Brightness when the respective fields are displayed and enters the number eight into the Count Down timer. Used in Configuration Mode.
  - 9 — Increases Contrast and Display Brightness when the respective fields are displayed and enters the number nine into the Count Down timer. Used in Configuration Mode.

### 5.1.2 Code Selection

Code selection is done with eight keys (0 – 7) providing 4,096 active identification codes. Pushing one of these keys begins the code selection sequence. The new code is not activated until the fourth digit is entered. Pressing the CLR key moves the cursor back to the previous digit. Pressing the CLR key when the cursor is on the first digit of the code, or pressing the CRSR key during code entry, removes the cursor and cancels data entry, restoring the previous code. You may press the CLR key up to five seconds after code entry is complete to return the cursor to the fourth digit. The numbers 8 and 9 are not used for code entry, only for entering a Count Down time, contrast and display brightness, and data selection in the Configuration Mode.

#### NOTE

The selected identification code should be entered carefully, either one assigned by air traffic control for IFR flight or an applicable VFR transponder code.

- Important Codes:
  - 1200** — VFR code for any altitude in the US (Refer to ICAO standards elsewhere)
  - 2000** — VFR code commonly used in Europe (Refer to ICAO standards)
  - 7000** — VFR code commonly used in Europe (Refer to ICAO standards)
  - 7500** — Hijack code (Aircraft is subject to unlawful interference)
  - 7600** — Loss of communications
  - 7700** — Emergency

Avoid selecting code 7500 and all codes in the 7600-7777 range. These codes trigger special indicators in automated facilities. An aircraft's transponder code is used for ATC tracking purposes, therefore exercise care when making routine code changes.

---

### 5.1.3 Function Display

|                         |  |
|-------------------------|--|
| <b>PRESSURE ALT</b>     | Displays the altitude data supplied to the GTX 330 in feet, hundreds of feet (i.e., flight level), or meters, depending on configuration.  |
| <b>FLIGHT TIME</b>      | Displays the Flight Time, controlled by the START/STOP key or by one of four airborne sources (squat switch, GPS ground speed recognition, airdata airspeed recognition or altitude increase) as configured during installation. The timer begins when the GTX 330 determines that the aircraft is airborne. |
| <b>ALTITUDE MONITOR</b> | Controlled by START/STOP key. Activates a voice alarm and warning annunciator when altitude limit is exceeded.   |
| <b>OAT/DALT</b>         | Displayed when the GTX 330 is configured with temperature input. Displays Outside Air Temperature and Density Altitude.  |
| <b>COUNT UP TIMER</b>   | Controlled by START/STOP and CLR keys.   |
| <b>COUNT DOWN TIMER</b> | Controlled by START/STOP, CLR, and CRSR keys. The initial Count Down time is entered with the 0 – 9 keys.  |
| <b>CONTRAST</b>         | This page is only displayed if manual contrast mode is selected in Configuration Mode. Contrast is controlled by the 8 and 9 keys.   |
| <b>DISPLAY</b>          | This page is only displayed if manual backlighting mode is selected in Configuration Mode. Backlighting is controlled by the 8 and 9 keys.   |

---

## 5.2 Configuration Pages

**NOTE**

The configuration descriptions given in this section reflect software version 3.05.

Holding down the FUNC key and pressing the ON key provides access to the configuration pages. The FUNC key sequences forward through the configuration pages. The START/STOP key reverses through the pages, stopping at the Menu page. The CRSR key highlights selectable fields on each page. When a field is highlighted, the 0 – 9 keys enter numeric data and the 8 or 9 keys move through list selections. Press the CRSR key to accept changes. When a field is highlighted, pressing the FUNC key moves to the next configuration page without saving the changes.

Changes made through the configuration pages are stored in EEPROM memory. To exit the configuration pages, turn the power off. Then turn on again (without holding the FUNC key) for normal operation.

The configuration page sequence is as follows (menu categories are listed in parentheses):

- ‘Jump To’ Menu
- Audio and Messages #1
- Audio and Messages #2
- Traffic Messages
- Display Mode
- Display Backlight
- Key Backlight
- Contrast
- ARINC 429 Input #1 (First I/O Configuration page)
- ARINC 429 Input #2 (Second I/O Configuration page)
- ARINC 429 Output
- RS-232 Input Output
- Operation Configuration #1 (First Aircraft Configuration page)
- Operation Configuration #2 (Second Aircraft Configuration page)
- Temperature
- Aircraft Address
- Flight ID
- Aircraft Type
- Gray Code Input
- External Switch State
- Analog Input
- RS-232 Input Display
- ARINC 429 Input Display #1
- ARINC 429 Input Display #2

---

## 5.2.1 Configuration Menu Page

JUMP TO **DIAGNOSTICS**

### CONFIGURATION MENU

#### CONFIGURATION MENU Page

The JUMP TO menu page provides the capability to select a configuration mode starting page without having to step through all of the pages. Press the CRSR key and sequence through to the desired section with the 8 and 9 keys. Jump to the selection by pressing the CRSR key again with the desired selection highlighted.

The FUNC key steps to the next configuration page, after which the START/STOP key reverses until stopping at the JUMP TO menu page.

| <b>SELECTION</b>     | <b>DESCRIPTION</b>                        |
|----------------------|---|
| <b>DIAGNOSTICS</b>   | Jumps to Gray Code Input page.            |
| <b>DISPLAY/AUDIO</b> | Jumps to Audio Volume page.               |
| <b>I/O CONFIG</b>    | Jumps to ARINC 429 INPUT #1 page.         |
| <b>ACFT CONFIG</b>   | Jumps to Operation Configuration #1 page. |

## 5.2.2 Audio Mode Pages

### VOICE and VOLUME

Select desired VOICE. The choice of OFF is not available for traffic (TIS) audio. Make sure the volume level is sufficient for the aircraft environment involved.

AUDIO VOLUME [ ]  
VOICE FEMALE MESSAGE 0

AUDIO MODE (First) Page

ALTITUDE MONITOR OFF DISABLE  
COUNT DOWN TIMER OFF

AUDIO MODE (Second) Page

### MESSAGE

Message is used as a test function only. Message 0 is a continuous tone. Message 1 is a short tone and 2 through 5 are voice messages. Choose each selection to listen to the message.

| SELECTION                  | DESCRIPTION   |
|----------------------------|---|
| <b>VOICE (MALE/FEMALE)</b> | Sets the voice to male or female. Default is male voice.  |
| <b>VOLUME</b>              | Volume is adjusted from 0 (default) to maximum with the 8 or 9 key.   |
| <b>MESSAGE (0-9)</b>       | Selected audio tones and messages:<br><b>0</b> = Toggles a continuous tone on and off.<br><b>1</b> = Attention Tone, precedes voice messages to attract the pilot's attention.<br><b>2</b> = "Leaving Altitude," when altitude monitor is active and the altitude deviation is exceeded.<br><b>3</b> = "Traffic," when a TIS traffic alert is received (similar to a "Traffic Advisory" in TCAS terms).<br><b>4</b> = "Timer Expired," when the countdown timer expires.<br><b>5</b> = "Traffic Not Available," when TIS service is not available or out of range of an operating TIS Mode S site.<br><b>6 through 9</b> are not used at this time. |
| <b>ALTITUDE MONITOR</b>    | Off, tone or message  |
| <b>COUNT DOWN TIMER</b>    | Off, tone or message  |
| <b>PAGE CHANGE</b>         | Enables/Disables Altitude Monitor sub page when altitude deviation is exceeded.   |

## 5.2.3 Traffic Information Page

### TRAFFIC MESSAGES

TRAFFIC MESSAGES TONE

TRAFFIC INFORMATION Page

Sets the Traffic Messages to either Tone or Message. Traffic Information Service (TIS) provides notification of close proximity traffic.

## 5.2.4 Display Mode Page

DISPLAY MODE **AUTO** LEVEL **75**

### DISPLAY MODE

#### DISPLAY MODE Page

| SELECTION               | DESCRIPTION   |
|-------------------------|---|
| <b>AUTO (Automatic)</b> | DEFAULT. Display automatically changes between Positive mode (during the day) and Negative mode (at night), depending on ambient light level received by the photocell. |
| <b>NGTV (Negative)</b>  | Display always has light characters on a black background, regardless of ambient lighting.  |
| <b>PSTV (Positive)</b>  | Display always has black characters on a light background, regardless of ambient lighting.  |

### LEVEL

Sets the ambient light level for AUTO mode to change between negative and positive display. The higher the number, the brighter the ambient light level to change over. This field has a range of 0 (zero) to 99, with the default set to 75.

## 5.2.5 Display Backlight Page

BKLT **AUTO** LVL **624** RSP TIME **4 MIN 08**  
BKLT SRCE **PHOTO** SLOPE **50** OFFSET **50**

#### DISPLAY BACKLIGHT Page

### BKLT (Backlight)

| SELECTION               | DESCRIPTION  |
|-------------------------|--|
| <b>AUTO (Automatic)</b> | DEFAULT. Display backlighting is automatically controlled, based on the parameters entered on this configuration page. When AUTO is selected, the DISPLAY page does not appear to the pilot. |
| <b>MAN (Manual)</b>     | Display backlighting is controlled manually by the pilot on the GTX 330 DISPLAY page. No backlight parameters can be entered when the manual mode is selected.                               |

### LVL (Level)

Shows the current level of display backlighting, based on the lighting input source (lighting bus voltage, or the ambient light if the source is PHOTO) and the settings on this configuration page. This field has a range of 0 (zero) to 999. The level is set by pressing the 8 and 9 keys when MAN mode is selected. When in AUTO mode, the field is for display only.

### RSP TIME (Response Time)

Sets the speed with which the brightness responds to ambient light changes (only for AUTO backlight mode). The higher the number, the slower the display responds. This field has a range of 0 to 7, with the default set to 4.



### **MIN (Minimum) (Auto Only)**

Sets the minimum brightness of the display. The higher the number, the brighter the minimum brightness. Display minimum brightness has a range of 0 (zero) to 99, with the default set to 8. It is prudent to verify that display lighting characteristics match those of other equipment in the panel under night lighting conditions.

### **BKLT SRCE (Backlight Source)**

| <b>SELECTION</b>         | <b>DESCRIPTION</b>   |
|--------------------------|--|
| <b>PHOTO (Photocell)</b> | DEFAULT. Backlight level is determined by the ambient light level as measured by the photocell on the GTX 330. |
| <b>14V</b>               | Backlight level tracks a 14 volt DC aircraft lighting bus.   |
| <b>28V</b>               | Backlight level tracks a 28 volt DC aircraft lighting bus.   |
| <b>5V</b>                | Backlight level tracks a 5 volt DC aircraft lighting bus.  |

#### **NOTE**

If a lighting bus (any selection other than PHOTO) is selected, and the lighting bus control is turned to its minimum (daytime) setting, the display brightness tracks the GTX 330 photocell.

### **SLOPE (Auto Only)**

Sets the sensitivity of the display brightness to changes in the input level. The higher the number, the brighter the display for a given increase in the input level. This field has a range of 0 (zero) to 99, with the default set to 50.

### **OFFSET (Auto Only)**

Adjusts the lighting level up or down for any given input level. This field has a range of 0 (zero) to 99, and is set to 50 at the factory. This may also be used to match lighting curves with other equipment in the panel.

## **5.2.6 Key Lighting Page**

The key lighting mode is always the same as the display backlight mode, so the mode must be changed on the Display Backlight configuration page. If the lighting mode is AUTO, then the key lighting parameters can be edited on this page.

**KEY AUTO LVL 624 RSP TIME 4 MIN 88**  
**KEY SRCE PHOTO SLOPE 50 OFFSET 50**  
**KEY LIGHTING Page**

### **KEY (Key Lighting)**

| <b>SELECTION</b>        | <b>DESCRIPTION</b>   |
|-------------------------|--|
| <b>AUTO (Automatic)</b> | Key lighting is automatically controlled based on the parameters entered on this configuration page. |
| <b>MAN (Manual)</b>     | Key lighting is controlled manually by the pilot on the GTX 330 DISPLAY page.                        |

---

### **LVL (Level)**

Shows the current level of key lighting, based on the lighting input source (lighting bus voltage, or the ambient light if the source is PHOTO) and the settings on this configuration page. This field has a range of 0 (zero) to 999, but is not a user-entered field (display only).

### **RSP TIME (Response Time)**

Sets the speed with which the brightness responds to ambient light changes (only for AUTO key lighting mode). The higher the number, the slower the key lighting responds. This field has a range of 0 to 7, and is set to 4 at the factory.

### **MIN (Minimum) (Auto Only)**

Sets the minimum brightness of the key lighting. The higher the number, the brighter the minimum brightness. Key lighting minimum brightness has a range of 0 (zero) to 99, and is set to 8 at the factory. It is prudent to verify that key lighting characteristics match those of other equipment in the aircraft panel under night lighting conditions.

### **KEY SRCE (Key Lighting Source) (Auto Only)**

| <b>SELECTION</b>         | <b>DESCRIPTION</b>  |
|--------------------------|---|
| <b>PHOTO (Photocell)</b> | DEFAULT. Key lighting level is determined by the ambient light level as measured by the photocell on the GTX 330. |
| <b>14V</b>               | Backlight level tracks a 14 volt DC aircraft lighting bus.  |
| <b>28V</b>               | Backlight level tracks a 28 volt DC aircraft lighting bus.  |
| <b>5V</b>                | Backlight level tracks a 5 volt DC aircraft lighting bus.   |

### **SLOPE (Auto Only)**

Sets the sensitivity of the key lighting brightness to changes in the input level. The higher the number, the brighter the key lighting for a given increase in the input level. This field has a range of 0 (zero) to 99, and is set to 50 at the factory.

### **OFFSET (Auto Only)**

Adjusts the key lighting level up or down for any given input level. This field has a range of 0 (zero) to 99, and is set to 50 at the factory. This may also be used to match lighting curves with other equipment in the panel.

## 5.2.7 Contrast Configuration Page



### CONTRAST MODE

CONTRAST CONFIGURATION Page

| SELECTION               | DESCRIPTION  |
|-------------------------|--|
| <b>AUTO (Automatic)</b> | DEFAULT. Display contrast is automatically compensated for LCD temperature and other factors. An offset can be entered in the contrast level adjustment described below. |
| <b>MAN (Manual)</b>     | Display contrast is manually adjusted either here or by the pilot using the GTX 330 CONTRAST page.   |

### CONTRAST LEVEL ADJUSTMENT

This is a “slider” bar graph control. Use the 8 key to move the graph to the left, decreasing the numbers and contrast level. Use the 9 key to move it to the right, increasing the numbers and contrast level. In manual contrast mode, this is a direct adjustment of the display contrast. In automatic contrast mode, this adjusts the offset to the automatically compensated contrast, with the default set to an offset of 50.

## 5.2.8 ARINC 429 Configuration Pages

### ARINC 429 INPUT

| 429 INPUT | SPEED | DATA |
|-----------|-------|------|
| CHANNEL 1 | LOW   | OFF  |
| CHANNEL 2 | LOW   | OFF  |

ARINC 429 INPUT (First) Page

| 429 INPUT | SPEED | DATA |
|-----------|-------|------|
| CHANNEL 3 | LOW   | OFF  |
| CHANNEL 4 | LOW   | OFF  |

ARINC 429 INPUT (Second) Page

The ARINC 429 INPUT Pages configure the ARINC 429 input ports. Each port can be configured independently for the desired function(s). The ARINC 429 IN 1 INPUT allows automated start and stop of the flight timer and places the transponder in ground (GND) mode upon landing. The same input data source cannot be selected for multiple input channels 1 through 3. ADLP is included for future use.

### SPEED (Channel 1 – 3)

| SELECTION   | DESCRIPTION   |
|-------------|---|
| <b>Low</b>  | Standard low-speed ARINC 429 (nominally 12.5 kilobits per second) |
| <b>High</b> | High-speed ARINC 429 (nominally 100 kilobits per second)          |

### DATA (Channel 1 – 4)

| CHANNEL                    | SELECTION           | DESCRIPTION   |
|----------------------------|---------------------|---|
| <b>All</b>                 | <b>OFF</b>          | No unit connected to this ARINC 429 input   |
| <b>1<br/>through<br/>3</b> | <b>GPS</b>          | Selected waypoint information and GPS ground speed recognition.                                   |
|                            | <b>ADC NO ALT</b>   | Temperature and speed information   |
|                            | <b>ADC W/ALT</b>    | Altitude, temperature and speed information   |
|                            | <b>AHRS</b>         | Attitude and heading information  |
|                            | <b>EF/AD NO ALT</b> | Selected course, heading, temperature, joystick waypoint and speed information                    |
|                            | <b>EF/AD W/ALT</b>  | Selected course, heading, temperature, joystick waypoint and speed information plus altitude data |
| <b>4</b>                   | <b>ADLP</b>         | Airborne Data Link Processor. ADLP is available only on channel 4.                                |

## ARINC 429 OUTPUT

429 OUTPUT      DATA  
CHANNEL 1      OFF  
CHANNEL 2      GARMIN W/TIS

### ARINC 429 OUTPUT Page

The GTX 330 can be configured to include GPS, Airdata, AHRS, EFIS/Airdata, and ADLP ARINC 429 inputs, functioning as an ARINC 429 data concentrator. Refer to Section 4.6 SERIAL DATA ELECTRICAL CHARACTERISTICS for details. The ARINC 429 OUTPUT Pages configure the ARINC 429 output ports. Each port can be configured independently for the desired function(s). Both ARINC 429 outputs send high speed ARINC 429 data.

| SELECTION               | DESCRIPTION  |
|-------------------------|--|
| <b>CHANNEL 1 (DATA)</b> | DATA SOURCE: OFF, ADLP, GARMIN or GARMIN W/TIS. DEFAULTS to OFF. ARINC 429 input channel 4 sets the ARINC 429 output channel 1 to the same selection.  |
| <b>CHANNEL 2 (DATA)</b> | DATA SOURCE: OFF, GARMIN or GARMIN W/TIS. DEFAULTS to GARMIN W/TIS. (See Figure C-5, Note 2 for description of Garmin format.) Do not select GARMIN W/TIS if the aircraft contains another traffic detection system. |

In aircraft having multiple traffic systems and multiple 400/500 Series units, configure ARINC 429 output CHANNEL 1 for GARMIN W/TIS and ARINC 429 output CHANNEL 2 for GARMIN. TIS is then enabled over CHANNEL 1.

The Garmin format is a data concentration function. The following data is sent out at specified intervals using high speed ARINC 429 (100 kHz). The transmit data labels and their rates are as follows:

| LABEL      | DATA  | RATE   |
|------------|---|--------|
| <b>100</b> | SELECTED COURSE (degrees)                                 | 200 ms |
| <b>203</b> | PRESSURE ALTITUDE [in feet set to 29.92" Hg (1013.25 mb)] | 100 ms |
| <b>204</b> | BAROMETRIC CORRECTED ALTITUDE (feet)                      | 100 ms |
| <b>206</b> | INDICATED AIR SPEED (knots)                               | 100 ms |
| <b>210</b> | TRUE AIR SPEED (knots)                                    | 100 ms |
| <b>211</b> | TOTAL AIR TEMPERATURE (degrees)                           | 100 ms |
| <b>213</b> | STATIC AIR TEMPERATURE (degrees)                          | 100 ms |
| <b>306</b> | JOYSTICK LAT  | 500 ms |
| <b>307</b> | JOYSTICK LON  | 500 ms |
| <b>314</b> | TRUE HEADING  | 100 ms |
| <b>320</b> | MAGNETIC HEADING (degrees)                                | 100 ms |
| <b>371</b> | GA Equipment Identifier                                   | 500 ms |
| <b>377</b> | Equipment Identifier                                      | 500 ms |

## 5.2.9 RS-232 Input and Output Page

RS232 INPUT OUTPUT  
 CHNL 1 OFF ICARUS  
 CHNL 2 OFF OFF

RS-232 INPUT-OUTPUT Page

### RS-232 INPUT (Altitude Source, GPS Data)

This is the electrical source for the GTX 330 altitude and GPS data input. Refer to Section 4.4.4 for altimeter data selection priority.

| SELECTION     | DESCRIPTION  |
|---------------|--|
| OFF           | DEFAULT. The altitude code input is not from an RS-232 source.   |
| GPS           | RS-232 ground speed from a GPS device.   |
| ICARUS ALT    | RS-232 serial altitude from an Icarus Instruments 3000 or Garmin GAE 43.   |
| ICRS ALT 25ft | Reports Icarus Instruments or Garmin GAE 43 altitude in 25 foot increments.  |
| ADC NO ALT    | RS-232 serial air data information from Shadin ADC 200, 200+, 2000.  |
| ADC W/ALT     | RS-232 serial air data information from Shadin ADC 200, 200+, 2000 plus altitude data.                                   |
| SHADIN ALT    | RS-232 serial altitude from Shadin 8800T, 9000T, 9200T.  |
| SHDN ALT 25ft | Reports Shadin altitude in 25 foot increments  |
| FADC NO ALT   | RS-232 serial air data from Shadin 9628XX-X family of Air Data Computers and Fuel/Air Data Computers.                    |
| FADC W/ALT    | RS-232 serial air data from Shadin 9628XX-X family of Air Data Computers and Fuel/Air Data Computers plus altitude data. |
| REMOTE        | RS-232 serial input remote data. Reserved for future use.  |

### RS-232 OUTPUT (Altitude Source)

| SELECTION    | DESCRIPTION  |
|--------------|--|
| OFF          | DEFAULT for channel 2. No unit is connected to output of this channel.         |
| ICARUS ALT   | DEFAULT for channel 1. RS-232 serial altitude from an Icarus Instruments 3000. |
| REMOTE       | RS-232 serial output remote data. Reserved for future use.                     |
| REMOTE + TIS | RS-232 serial output remote data with TIS.                                     |

## 5.2.10 Operation Configuration Pages

VS RATE 0100<sub>m</sub> FORMAT FLIGHT LVL  
 VFR ID 1200 ALT ALRT DEV 200<sub>ft</sub>

First CONFIGURATION Page

### VS RATE (Vertical Speed Rate)

This field is the typical vertical speed for climb/descent of the aircraft. The settable number determines the rate of climb the GTX 330 assumes as liftoff for starting the flight timer and operational functions. The range is 100 feet per minute to 9999 feet per minute, and is set to 500 fpm at the factory.

## **FORMAT (Altitude Format)**

This field determines how the pressure altitude is shown on the GTX 330 display.

| <b>SELECTION</b>                     | <b>DESCRIPTION</b>   |
|--------------------------------------|--|
| <b>FLIGHT LVL<br/>(Flight Level)</b> | DEFAULT. The pressure altitude is displayed in hundreds of feet. For example, a pressure altitude of 12,300 feet is displayed as “FL 123”. |
| <b>FEET</b>                          | Pressure altitude is displayed in feet.  |
| <b>METERS</b>                        | Pressure altitude is displayed in meters.  |

## **VFR ID (VFR Transponder Code)**

This field is the four-digit code that is selected when the user presses the GTX 330 VFR key. In the United States, 1200 is the VFR code for any altitude. The default is set to 1200.

## **ALTITUDE ALERT DEVIATION (Altitude Format)**

This field determines the amount of altitude difference from selected altitude to generate an altitude alert deviation. It is set to 200 feet, the minimum altitude, at the factory.

## **SQUAT SWITCH**

The squat switch field may be set to either YES or NO. Selecting YES in this field sets the GTX 330 to use the squat switch to determine lift off. Selecting NO sets the GTX 330 to use Automated Airborne Determination from other sources.



**Second CONFIGURATION Page**

## **DELAY TIME**

This is the number of seconds the aircraft must be on the ground before the AUTO STANDBY feature automatically switches to standby mode when the airborne source is the squat switch. It has a range of 0 (zero) seconds to 99 seconds, with the default set to 24 seconds.

## **AUTO FLIGHT TIMER**

Available choices are MAN, CLEAR and ACCUM. Selecting CLEAR resets flight time to zero and starts the flight timer when lift off is sensed.

| <b>Selection</b> | <b>Description</b>  |
|------------------|---|
| <b>MAN</b>       | Manual selection. DEFAULT. Flight timer START/STOP is controlled manually by the pilot.       |
| <b>CLEAR</b>     | Automated flight timer START/STOP resets to zero at every lift off.                           |
| <b>ACCUM</b>     | Automated flight timer START/STOP accumulates, meaning, it continues counting up at lift off. |

## 5.2.11 Temperature Page

### SENSOR INSTALLED

Sets the Sensor to YES or NO. Default is NO.

### UNITS

Sets the units to degrees Fahrenheit or Centigrade. Default is degrees C.



## 5.2.12 Mode S Address Entry Pages

### Aircraft Registration or Flight ID Number Page

#### NOTE

It is VERY important to enter the Mode S address correctly in the GTX 330.

When the unit is turned on for the first time, or an invalid address is recognized, the unit prompts the user to enter a valid aircraft address.

Once the aircraft address is entered, the unit remains on in the same mode as before. Flight ID can be entered in TSO Class 2A units, P/N 010-00230-( ) and 010-00293-( ).



For first time turn-on proceed to step 5. Otherwise begin at step 1, with the unit turned off:

1. To enter the configuration pages, press and hold the **FUNC** key while powering on the unit.
2. Power the unit on by pressing the **ON**, **ALT**, or **STBY** key (while holding the **FUNC** key) or turn on with the avionics master switch. The unit performs a self-test routine and displays a "Jump to Diagnostics" page.
3. Press the **FUNC** key repeatedly to toggle through the pages until you come to the address entry page, or for a shortcut, select the Aircraft Configuration Menu page (see para 5.2.1.) and then toggle the **FUNC** key three times.
  - a. The page that appears is either as ADDRESS HEX \_ \_ \_ \_ \_ .
  - b. Or as ADDRESS US TAIL# N \_ \_ \_ \_ \_ .

#### NOTE

It is not necessary for the installer to convert the aircraft registration number (N-number for US registry aircraft) to a Hex address. The GTX 330 converts the registration number to hexadecimal automatically.

4. To select between Hex or Tail number, press the **CRSR** key, then **8** or **9** key to move to the correct selection.
5. For entering either the address hex code or the US registration number, press the **CRSR** key 1 time. (This highlights the address field).

7. Enter the aircraft address using the number keys. Press a key repeatedly to scroll through the digit/alpha characters for that key.
8. Press the **CRSR** key to select the next numeric entry field. Enter the next character as stated in step 7, then move onto the next one, repeating the process until the complete number is entered.
9. When finished, press the **CRSR** key to accept the number entry.
10. Using the **FUNC** and/or **START/STOP** keys, toggle through the pages to get off of, then back onto the aircraft address page. Verify that the address is correct.

The unit now contains a Mode S address and may be turned off. To power the unit on in the normal mode, press only the **ON**, **ALT**, or **STBY** key (without holding the **FUNC** key) or turn on with the avionics master switch.

### MODE S ADDRESS, AIRCRAFT REGISTRATION PAGE

| SELECTION | DESCRIPTION              |
|-----------|--------------------------|
| US TAIL # | N-Registration Number    |
| HEX       | Hexadecimal code address |

### MODE S ADDRESS, FLIGHT ID PAGE

| SELECTION      | DESCRIPTION   |
|----------------|---|
| SAME AS TAIL   | If address is a US registration number, FLT ID can be the same. |
| POWER UP ENTRY | Enter FLT ID every time the unit is turned on in normal mode.   |
| CONFIG ENTRY   | Enter FLT ID in configuration mode only.                        |

### 5.2.13 Mode S Aircraft Type Page

Used for air to air communication with TCAS.



MODE S (A/C Type) Page

| SELECTION    | DESCRIPTION                                       |
|--------------|---|
| AC TYPE      | UNKNOWN, <15.5K Lb, >=15.5K Lb, or ROTOR.         |
| MAX AIRSPEED | UNKNOWN, <=75 kt, <=150 kt, <=300 kt, or >300 kt. |

### AIRCRAFT TYPE

Sets the AIRCRAFT TYPE Message to ROTOR, to a weight of less than 15,500 pounds, more than or equal to 15,500 pounds, or unknown weight. Defaults to less than 15,500 pounds.

### MAXIMUM AIRSPEED

Sets the AIRCRAFT AIRSPEED Message to a speed of less than or equal to 75 knots, between 75 knots and 150 knots, between 150 knots and 300 knots, more than 300 knots, or unknown airspeed. Defaults to less than or equal to 150 knots. Enter the aircraft's maximum cruising true airspeed capability.



## 5.2.14 Gray Code Input Page

### GRAY CODE



daaabbcc  
GRAY 4124124124 DECODED  
CODE 0000000000 ALTITUDE 12300ft  
GRAY CODE INPUT Page

This field shows the status (1 = ground, 0 = open) of each of the ten gray code altitude inputs. This information may aid in installation troubleshooting. This page is not used in systems that contain serial altitude input.

### DECODED ALTITUDE

This field displays the gray code altitude input in feet. Verify that it is the correct altitude.

## 5.2.15 External Switch State Page

### IDENT



EXTERNAL SWITCH STATE  
IDENT  STANDBY  SQUAT   
EXTERNAL SWITCH Page

This field displays the state of the EXTERNAL IDENT discrete input. The box is filled when EXTERNAL IDENT is grounded.

### STANDBY

This field displays the state of the EXTERNAL STANDBY discrete input. The box is filled when EXTERNAL STANDBY is grounded. If EXTERNAL STANDBY is active during power-up, the word FAIL appears on the screen after 30 seconds.

### SQUAT

This field displays the state of the SQUAT SWITCH input. The box is filled when the SQUAT SWITCH input is active (the aircraft is on the ground as configured on the SETUP 2 page).

## 5.2.16 Analog Input Page

The Analog to Digital Converter counts are shown on the display, providing troubleshooting data.



14/5V LTG 000 PHOTO 000 LCD TEMP 000  
28V LTG 000 OAT 000 UNIT TMP 000  
ANALOG INPUT Page

### 14/5V LTG

This field displays the input level of the 14/5 V lighting bus.

### PHOTO

This field displays the input level of the photocell.

### LCD TEMP

This field displays the input level of the LCD temperature sensor.

### 28V LTG

This field displays the input level of the 28 V lighting bus.

## OAT

This field displays the input level from the outside air temperature sensor.

## UNIT TEMP

This field displays the input level from the unit temperature sensor.

### 5.2.17 RS-232 Input Page



```
RS232 CH1 OFF +----- n/a
CH2 OFF +----- n/a
```

RS-232 INPUT Page

Depending on the selected inputs on Channel 1 and Channel 2 from the RS-232 Input page (ref para 5.2.9), this page displays the information received on the channel. If GPS is selected as an input ground speed can be viewed (GSPD), latitude (LAT), longitude (LON) and track (TRK).

If ICARUS or SHADIN-ALT is selected as an input pressure altitude (PALT) can be viewed.

If FADC or ADC is selected as an input, true or static air temperature (SAT), outside or total air temperature (TAT), indicated air speed (IAS), true air speed (TAS), density altitude (DALT), pressure altitude (PALT\*), current barometric pressure (BARO) and vertical speed (VSPD) can be viewed.

| SELECTION | DESCRIPTION           |
|-----------|-----------------------|
| GSPD      | Ground speed in knots |
| LAT       | Latitude in degrees   |
| LON       | Longitude in degrees  |
| TRK       | Track in degrees      |

| SELECTION | DESCRIPTION               |
|-----------|---------------------------|
| GSPD      | Ground speed in knots     |
| PALT      | Pressure altitude in feet |

\* If ADC W/ALT or FADC W/ALT format selected.

### 5.2.18 ARINC 429 Channels Pages

The GTX 330 receives one of the following sets of ARINC 429 data on either ARINC 429 receivers #1, #2 or #3. The labels are chosen when selected in ARINC 429 INPUT, Section 5.2.8.

The received data may be at either LOW or HIGH speed. The default is LOW. The transmit data labels and their rate are as follows:



```
429 CH1 000 00000000 +----- n/a
RX CH2 000 00000000 +----- n/a
```

ARINC 429 CHANNELS 1 and 2



```
429 CH3 000 00000000 +----- n/a
RX CH4 000 00000000 +----- n/a
```

ARINC 429 CHANNELS 3 and 4

---

**AHRS COMPUTER (AHRS)**

| <b>LABEL</b> | <b>DATA</b>                |
|--------------|----------------------------|
| <b>314</b>   | TRUE HEADING (degrees)     |
| <b>320</b>   | MAGNETIC HEADING (degrees) |
| <b>365</b>   | VERTICAL RATE (feet/min)   |

**AIR DATA COMPUTER (ADC)**

| <b>LABEL</b> | <b>DATA</b>   |
|--------------|---|
| <b>203*</b>  | PRESSURE ALTITUDE [in feet set to 29.92" Hg (1013.25 mb)] |
| <b>204</b>   | BAROMETRIC CORRECTED ALTITUDE (feet)                      |
| <b>206</b>   | INDICATED AIR SPEED (knots)                               |
| <b>210</b>   | TRUE AIR SPEED (knots)                                    |
| <b>211</b>   | TOTAL AIR TEMPERATURE (degrees)                           |
| <b>212</b>   | VERTICAL SPEED (feet/min)                                 |
| <b>213</b>   | STATIC AIR TEMPERATURE (degrees)                          |

**EFIS DISPLAY SYSTEM (EF/AD)**

| <b>LABEL</b> | <b>DATA</b>   |
|--------------|---|
| <b>100</b>   | SELECTED COURSE (degrees)                                 |
| <b>203*</b>  | PRESSURE ALTITUDE [in feet set to 29.92" Hg (1013.25 mb)] |
| <b>204</b>   | BAROMETRIC CORRECTED ALTITUDE (feet)                      |
| <b>210</b>   | TRUE AIR SPEED (knots)                                    |
| <b>211</b>   | TOTAL AIR TEMPERATURE (degrees)                           |
| <b>213</b>   | STATIC AIR TEMPERATURE (degrees)                          |
| <b>306</b>   | JOYSTICK LAT  |
| <b>307</b>   | JOYSTICK LON  |
| <b>314</b>   | TRUE HEADING  |
| <b>320</b>   | MAGNETIC HEADING (degrees)                                |

**GPS NAVIGATION SYSTEM (GPS)**

| <b>LABEL</b> | <b>DATA</b>          |
|--------------|----------------------|
| <b>312</b>   | GROUND SPEED (knots) |

\* If ADC W/ALT or EF/AD W/ALT format selected.

---

This page intentionally left blank

---

## **APPENDIX A      CERTIFICATION DOCUMENTS**

### **A.1    STC**

Order number 8300.10, FSAW 98-04B FSAW 98-04B (AMENDED) provides Flight Standards Service (AFS) policy concerning follow-on field approvals of Traffic Alert/Advisory Systems, such as the Garmin GTX 330 Mode S and GTX 330D Diversity Mode S Transponder systems installed and operated under the provisions of 14 CFR Part 91 or Part 135.

Certain models of traffic display devices have been awarded Supplemental Type Certificates (STC) in certain makes and models of aircraft. As such, the appropriate STC approved data can be used as the basis for "follow-on" FAA field approval on FAA Form 337.

When an installing agency submits installation data for approval, that is based on previously approved data, the installation of the device can be field approved with the attendant Aircraft Flight Manual Supplement (AFMS) signed by the Airworthiness Aviation Safety Inspector (ASI).

Refer to the GTX 330/330D SAMPLE AIRPLANE FLIGHT MANUAL SUPPLEMENT,  
P/N 190-00207-06.

United States of America  
Department of Transportation -- Federal Aviation Administration  
**Supplemental Type Certificate**

*Number* ST01125WI

*This certificate issued to* Garmin International  
1200 E. 151<sup>st</sup> Street  
Olathe, KS 66062

*certifies that the change in the type design for the following product with the limitations and conditions therefor as specified hereon meets the airworthiness requirements of Part 3 of the Civil Air Regulations.*

*Original Product - Type Certificate Number :* A3SO  
*Make :* Piper  
*Model :* PA-32-260

*Description of Type Design Change:* Installation of Garmin GTX 330 Mode S Transponder with Traffic Information System Capability. Data Required: (1) FAA Approved Airplane Flight Manual Supplement (AFMS), for Piper PA32 with Garmin GNS 430 VHF Communication Transceiver / VOR/ILS Receiver / GPS Receiver; or (2) FAA Approved Airplane Flight Manual Supplement (AFMS), for Piper PA32 with Garmin GNS 530 VHF Communication Transceiver / VOR/ILS Receiver / GPS Receiver; dated 11/21/2002; or later FAA Approved Revisions to (1) or (2).

*Limitations and Conditions :* Compatibility of this design change with previously approved modifications must be determined by the installer. If the holder agrees to permit another person to use this certificate to alter the product, the holder shall give the other person written evidence of that permission.

Descriptive data pertaining to this design change are considered inadequate for duplication of other products. This approval is limited to only the installation made in Piper model PA-32-260, Serial Number 32-7100002. This STC does not permit manufacturing of parts for multiple installations.

*This certificate and the supporting data which is the basis for approval shall remain in effect until surrendered, suspended, revoked or a termination date is otherwise established by the Administrator of the Federal Aviation Administration.*

*Date of application :* March 11, 2002

*Date reissued :*

*Date of issuance :* December 12, 2002

*Date amended :*



*By direction of the Administrator*

*Harvey E. Nero*  
(Signature)

Harvey E. Nero  
FAA Program Manager  
Wichita Aircraft Certification Office

(Title)

Any alteration of this certificate is punishable by a fine of not exceeding \$1,000, or imprisonment not exceeding 3 years, or both.

FAA FORM 8110-2(10-68)

PAGE 1 of 2 PAGES

This certificate may be transferred in accordance with FAR 21.47.

---

## A.2 Continued Airworthiness

Other than for regulatory periodic functional checks, maintenance of the GTX 330 is “on condition” only. Refer to the GTX 330 Maintenance Manual (Garmin P/N 190-00207-05). Periodic maintenance of the GTX 330 is not required.

This section provides assistance to the installing agency in preparing Instructions for Continued Airworthiness (ICA) in response to Bulletin Number HBAW 98-18, “Checklist for Instructions for Continued Airworthiness for Major Alterations Approved Under the Field Approval Process”, effective 10/7/98.

Aviation Authority approved installers are hereby granted permission to reference appropriate service instructions and excerpts from this Installation Manual to accomplish the Instructions for Continued Airworthiness. This permission does not construe suitability of the documents. It is the applicant’s responsibility to determine the suitability of the documents for the ICA.

Following is a suggested ICA for a Garmin GTX 330 unit installation. Some of the checklist items do not apply, in which case they should be marked “N/A” (Not Applicable).

### INSTRUCTIONS FOR CONTINUED AIRWORTHINESS, GARMIN GTX 330

#### 1. Introduction

[Aircraft that has been altered: Registration (N-) number, Make, Model and Serial Number]

Content, Scope,

Purpose and Arrangement: This document identifies the Instructions for Continued Airworthiness for the modification of the above aircraft by installation of a Garmin GTX 330.

Applicability: Applies to aircraft altered by installation of the Garmin GTX 330.

Definitions/Abbreviations: None, N/A.

Precautions: None, N/A.

Units of Measurement: None, N/A.

Referenced Publications: Garmin GTX 330 Installation Manual, P/N 190-00207-02  
Garmin GTX 330 Maintenance Manual, P/N 190-00207-05  
Garmin STC # ST01125WI.  
Garmin GTX 330 Pilot’s Guide, P/N 190-00207-00.

Distribution: This document should be a permanent aircraft record.

#### 2. Description of the Alteration

Installation of the Garmin GTX 330, with interface to Encoding Altimeter or Blind Encoder. Refer to Section 4 and Figures 4-1 and 4-2 of this manual for interconnect information. Antenna installation, removal and replacement should be in accordance with applicable provisions of AC 43.13-1B and AC 43.13-2A.

#### 3. Control, Operation Information

Refer to the GTX 330 Pilot’s Guide.

#### 4. Servicing Information

N/A

---

## 5. Maintenance Instructions

Maintenance of the GTX 330 is 'on condition' only. Periodic maintenance is not required. Refer to the GTX 330 Maintenance Manual.

## 6. Troubleshooting Information

Refer to the GTX 330 Maintenance Manual.

## 7. Removal and Replacement Information

Refer to Section 2 of this manual. If the unit is removed and reinstalled, a functional check of the equipment should be conducted in accordance with Section 5 of this manual.

## 8. Diagrams

Refer to Section 3 and Section 4 of this manual.

## 9. Special Inspection Requirements

N/A

## 10. Application of Protective Treatments

N/A

## 11. Data: Relative to Structural Fasteners

Antenna installation, removal and replacement should be in accordance with applicable provisions of AC 43.13-1B and AC 43.13-2A. Also, refer to Section 2 of this manual.

## 12. Special Tools

N/A

## 13. This Section is for Commuter Category Aircraft Only

A. Electrical loads: Refer to Section 1.3 of this manual.

B. Methods of balancing flight controls: N/A.

C. Identification of primary and secondary structures: N/A.

D. Special repair methods applicable to the airplane: Antenna installation, removal, and replacement should be in accordance with applicable provisions of AC 43.13-1B and AC 43.13-2A.

## 14. Overhaul Period

No additional overhaul time limitations.

## 15. Airworthiness Limitation Section

N/A.

## 16. Revision

To revise this ICA, a letter must be submitted to the local FSDO with a copy of the revised FAA Form 337, and revised ICA. The FAA inspector accepts the change by signing Block 3 and including the following statement:

“The attached revised/new Instructions for Continued Airworthiness (date \_\_\_\_\_) for the above aircraft or component major alteration have been accepted by the FAA, superseding the Instructions for Continued Airworthiness (date \_\_\_\_\_).”



---

## 17. Assistance

Flight Standards Inspectors have the resources to respond to questions regarding the ICA.

## 18. Implementation and Record Keeping

For major alterations performed in accordance with FAA field approval policy, the owner/operator operating under Part 91 is responsible for ensuring that the ICA is made part of the applicable Section 91.409 inspection program for their aircraft. This is accomplished when a maintenance entry is made in the aircraft's maintenance record in accordance with Section 43.9. This entry records the major alteration and identifies the original ICA location (e.g., Block 8 of FAA Form 337, dated \_\_\_\_\_) along with a statement that the ICA is now part of the aircraft's inspection/maintenance requirements.

### A.3 Environmental Qualification Forms, GTX 330 Mode S Transponder

The following pages are copies of the Environmental Qualification Forms for the Garmin GTX 330 Transponder (005-00131-03) provided for reference only.

#### GTX 330 Airborne ATCRBS/Mode S Transponder Equipment

| TYPE/MODEL/PART NO<br>(Unit P/N)              | TSO COMPLIANCE* | JTSO COMPLIANCE* | Diversity |
|---|-----------------|------------------|-----------|
| 010-00230-( )<br>(011-00455-00, -20)          | C112 Class 2A   | 2C112a Level 2s  | No        |
| 010-00293-( )<br>(011-00455-10, -30)          | C112 Class 2A   | 2C112a Level 2s  | Yes       |
| 010-00308-( ) Obsolete<br>(011-00455-40,-50 ) | C112 Class 1A   | 2C112a Level 1s  | Yes       |

\* **Notes:** See Paragraph 1.6.3 for part number, and complete TSO classification and description.

All versions of the 011-00455-( ) are class 2A except -(40), -(50) which are class 1A and are obsolete.

GTX330/GTX33 Environmental Qualification Form

Nomenclature:

GTX330 / GTX33 Airborne Air Traffic Control Radar Beacon System/Mode Select (ATCRBS/Mode S) Transponder Equipment

TSO/JTSO Number:

TSO-C112, JTSO-2C112a.

Type/Model/Part Number/TSO Class:

GTX33 Non-Diversity Part Number 010-00267-( ) (Includes 011-00779-( )) Class 2A1 121 010

GTX33D Diversity Part Number 010-00294-( ) (Includes 011-00779-( )) Class 2A1 121 011

GTX330 Non-Diversity Part Number 010-00230-( ) (Includes 011-00455-( )) Class 2A1 121 010

GTX330D Diversity Part Number 010-00293-( ) (Includes 011-00455-( )) Class 2A1 121 011

Manufacturer's Specification And/Or Other Applicable Specification:

004-00099-00

Manufacturer:

Garmin Ltd. or its subsidiaries

Address:

1200 East 151<sup>st</sup> Street  
Olathe, Kansas 66062  
U.S.A.

| RTCA DO-160D Conditions                        | DO-160D Section and Date of Issue | Description of Conducted Tests  |
|--|-----------------------------------|---|
| Temperature and Altitude                       | 4.0                               | Equipment tested to Categories A 2 B 2 F 1<br><br>Not Applicable – Cooling Air is Not Required but is<br><b><u>HIGHLY RECOMMENDED</u></b> |
| Ground Survival Low/Operating Low              | 4.5.1                             |   |
| Ground Survival High/Short-Time Operating High | 4.5.2                             |   |
| Operating Temperature High                     | 4.5.3                             |   |
| In-Flight Loss of Cooling                      | 4.5.4                             |   |
| Altitude                                       | 4.6.1                             |   |
| Decompression                                  | 4.6.2                             | Equipment tested to Category B  |
| Overpressure                                   | 4.6.3                             |   |
|  | (Issued 07/29/97)                 |   |
| Temperature Variation                          | 5.0                               | Equipment tested to Category A  |
|  | (Issued 07/29/97)                 |   |
| Humidity                                       | 6.0                               |   |
|  | (Issued 07/29/97)                 |   |

**Figure A-1. GTX 330 Environmental Qualification Form (Sheet 1 of 2)**

|   |   |   |
|---|---|---|
| Operational Shocks & Crash Safety                       | 7.0   | Equipment tested to Category B                            |
| Sustained Crash Safety                                  | 7.3.2<br>(Issued 07/29/97)                  | Equipment tested for Random Orientation.                  |
| Vibration   | 8.0<br>(Change No. 1<br>Issued 12/14/2000)  | Equipment tested to Test Curves B2 and M<br>(See Note 1.) |
| Explosion Proofness                                     | 9.0<br>(Issued 07/29/97)                    | Equipment identified as Category X, no test performed     |
| Waterproofness  | 10.0<br>(Issued 07/29/97)                   | Equipment identified as Category X, no test performed     |
| Fluids Susceptibility                                   | 11.0<br>(Issued 07/29/97)                   | Equipment identified as Category X, no test performed     |
| Sand and Dust   | 12.0<br>(Issued 07/29/97)                   | Equipment identified as Category X, no test performed     |
| Fungus Resistance                                       | 13.0<br>(Issued 07/29/97)                   | Equipment identified as Category X, no test performed     |
| Salt Spray  | 14.0<br>(Issued 07/29/97)                   | Equipment identified as Category X, no test performed     |
| Magnetic Effect   | 15.0<br>(Issued 07/29/97)                   | Equipment tested to Category Z                            |
| Power Input   | 16.0<br>(Change No. 2<br>Issued 6/12/2001)  | Equipment tested to Categories B Z                        |
| Voltage Spike   | 17.0<br>(Issued 07/29/97)                   | Equipment tested to Category A                            |
| Audio Frequency Conducted Susceptibility - Power Inputs | 18.0<br>(Change No. 2<br>Issued 6/12/2001)  | Equipment tested to Categories Z                          |
| Induced Signal Susceptibility                           | 19.0<br>(Issued 07/29/97)                   | Equipment tested to Category Z                            |
| Radio Frequency Susceptibility (Radiated and Conducted) | 20.0<br>(Change No. 1<br>Issued 12/14/2000) | Equipment tested to Category T                            |
| Emission of Radio Frequency Energy                      | 21.0<br>(Issued 07/29/97)                   | Equipment tested to Category B                            |
| Lightning Induced Transient Susceptibility              | 22.0<br>(Issued 07/29/97)                   | Equipment tested to Categories A I E I                    |
| Lightning Direct Effects                                | 23.0<br>(Issued 07/29/97)                   | Equipment identified as Category X, no test performed     |
| Icing   | 24.0<br>(Issued 07/29/97)                   | Equipment identified as Category X, no test performed     |
| Electrostatic Discharge (ESD)                           | 25.0<br>(Issued 07/29/97)                   | Equipment identified as Category X, no test performed     |

Notes and Remarks:

- Vibration Test Curve M was increased to DO-160C Helicopter Test Curve N as follows: 0.1 inches pk-pk double amplitude from 5Hz to 17Hz and 1.5g pk from 17Hz to 500Hz.

**Figure A-1. GTX 330 Environmental Qualification Form (Sheet 2 of 2)**

---

This page intentionally left blank

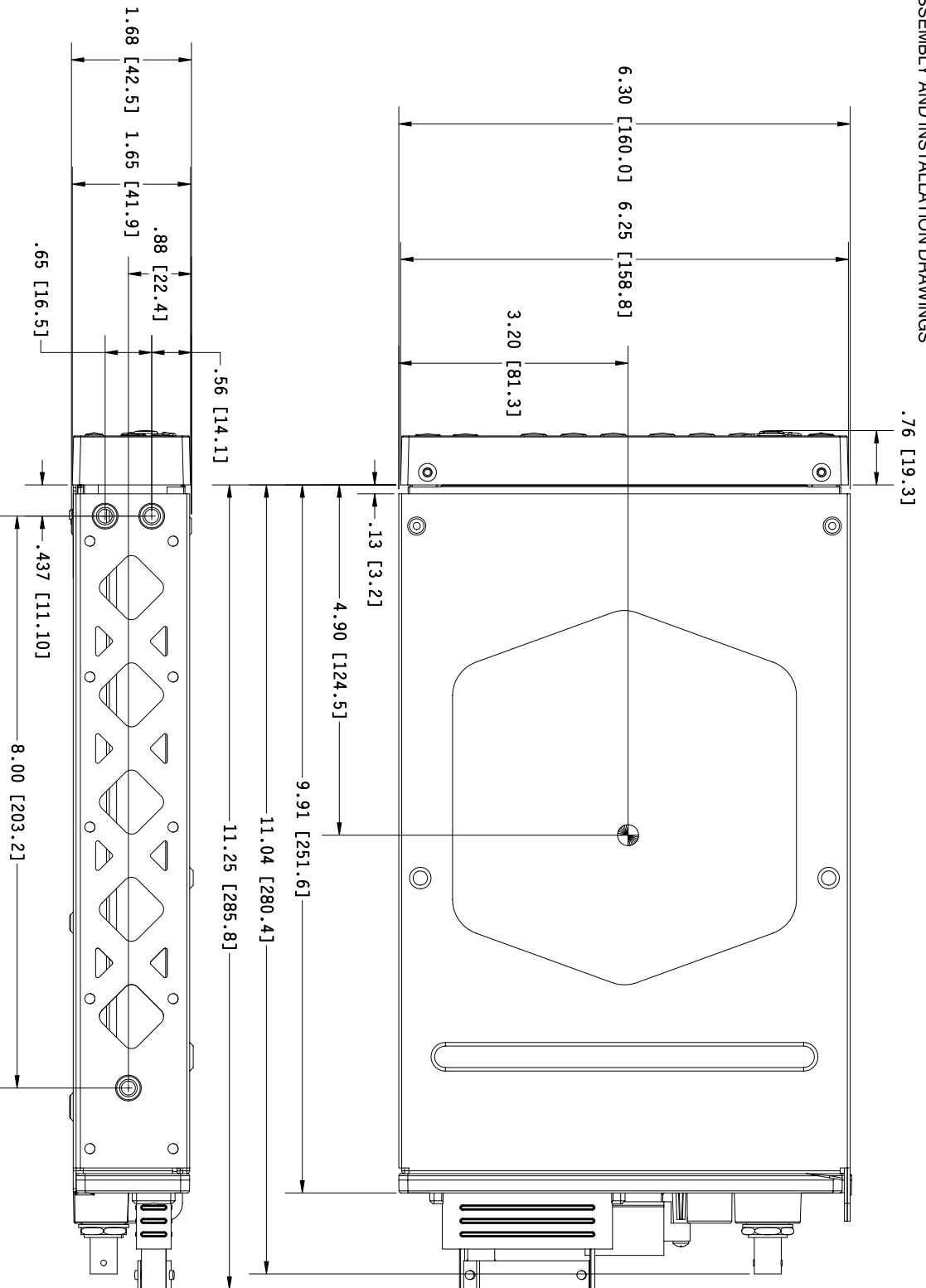
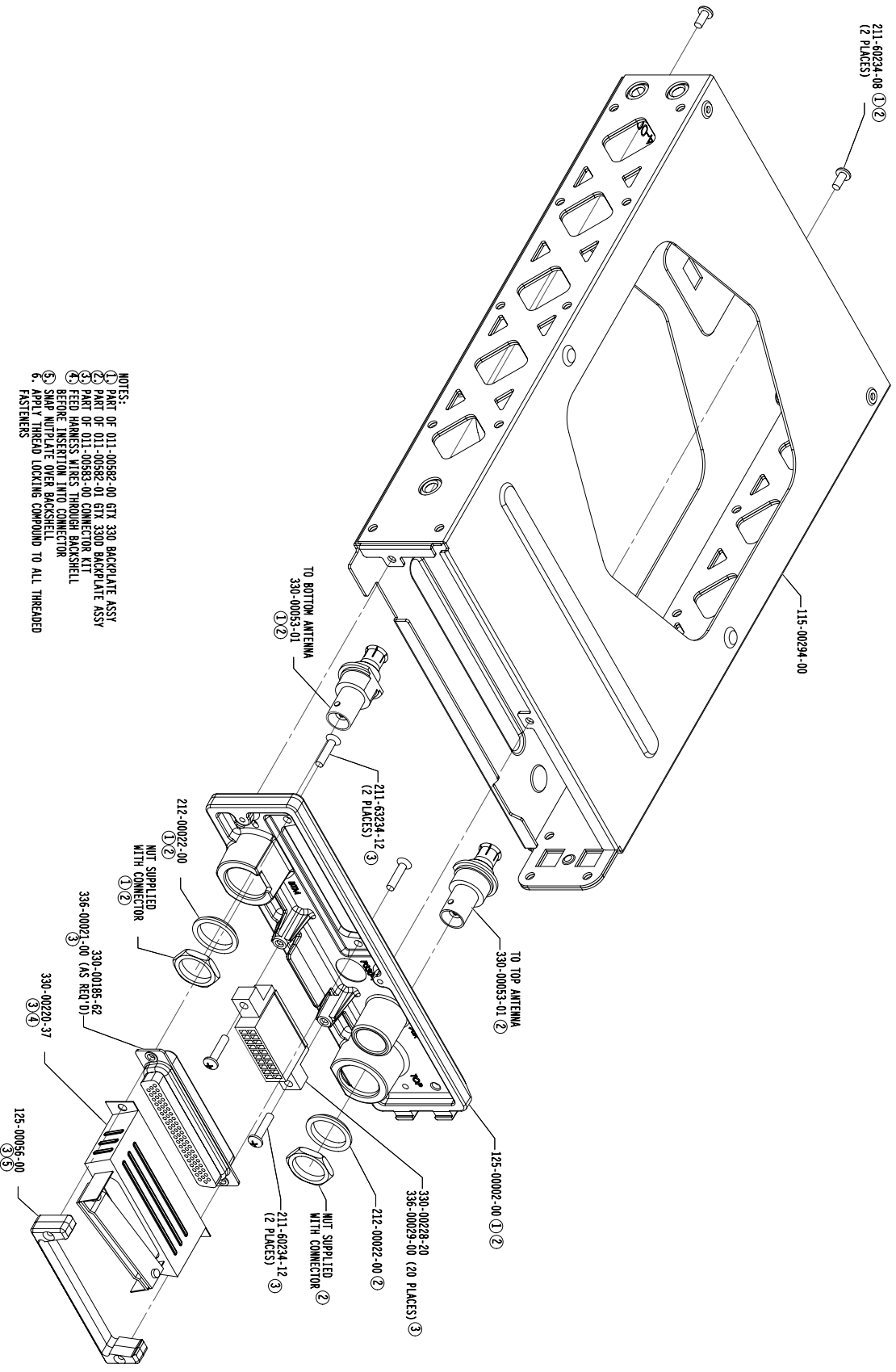


Figure B-1. GTX 330 Outline Drawing

APPENDIX B ASSEMBLY AND INSTALLATION DRAWINGS



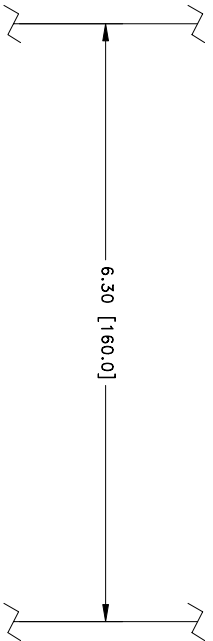
- NOTES:
- ① PART OF 011-00582-00 GTX 330 BACKPLATE ASSY
  - ② PART OF 011-00582-01 GTX 330D BACKPLATE ASSY
  - ③ PART OF 011-00583-00 CONNECTOR KIT
  - ④ FEED HARNESS WIRES THROUGH BACKSHELL BEFORE INSERTION INTO CONNECTOR
  - ⑤ SNAP NUT/PLATE OVER BACKSHELL
  - ⑥ APPLY THREAD LOCKING COMPOUND TO ALL THREADED FASTENERS

Figure B-2. GTX 330 Connector/Rack Assembly Drawing

APPENDIX B ASSEMBLY AND INSTALLATION DRAWINGS

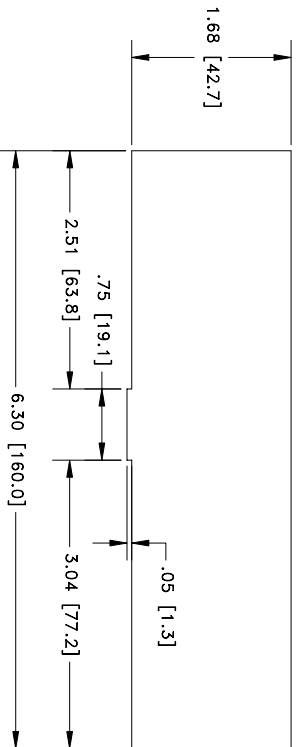
**OPTION 1:**

STACK CUTOUT (RACK INSTALLED FROM FRONT OF AIRCRAFT PANEL)



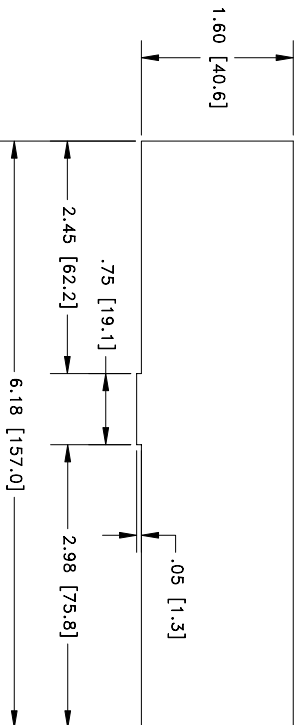
**OPTION 2:**

RADIO CUTOUT (RACK INSTALLED FROM FRONT OF AIRCRAFT PANEL)



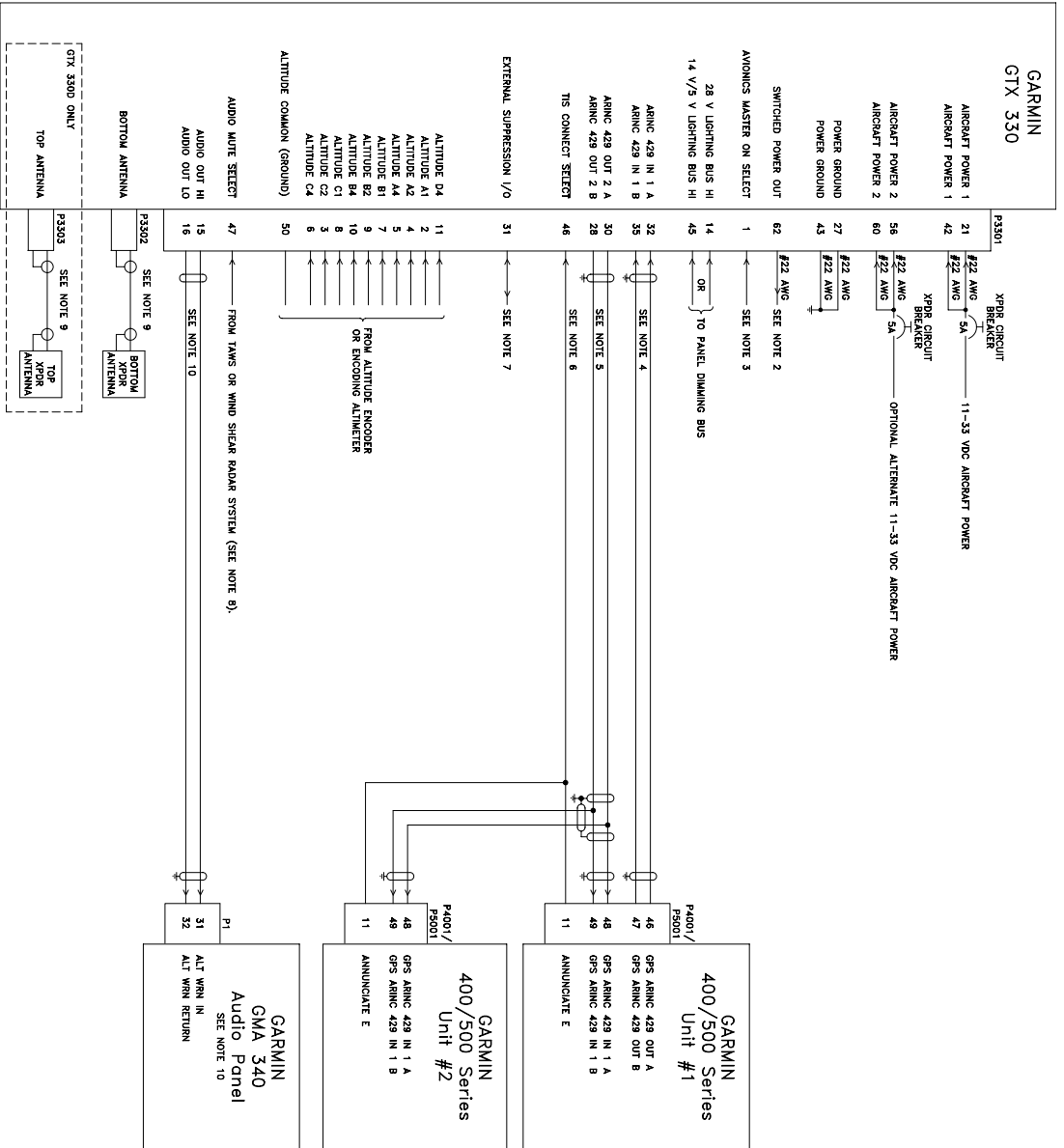
**OPTION 3:**

RADIO CUTOUT (RACK INSTALLED FROM BACK OF AIRCRAFT PANEL ONLY) MAXIMUM AIRCRAFT PANEL THICKNESS IS .125 INCH [3.2 mm]



- NOTES:
1. DIMENSIONS: INCH [mm].
  2. IF THE FRONT LIP OF THE MOUNTING RACK IS BEHIND THE SURFACE OF THE AIRCRAFT PANEL, THE UNIT CONNECTORS MAY NOT FULLY ENGAGE.

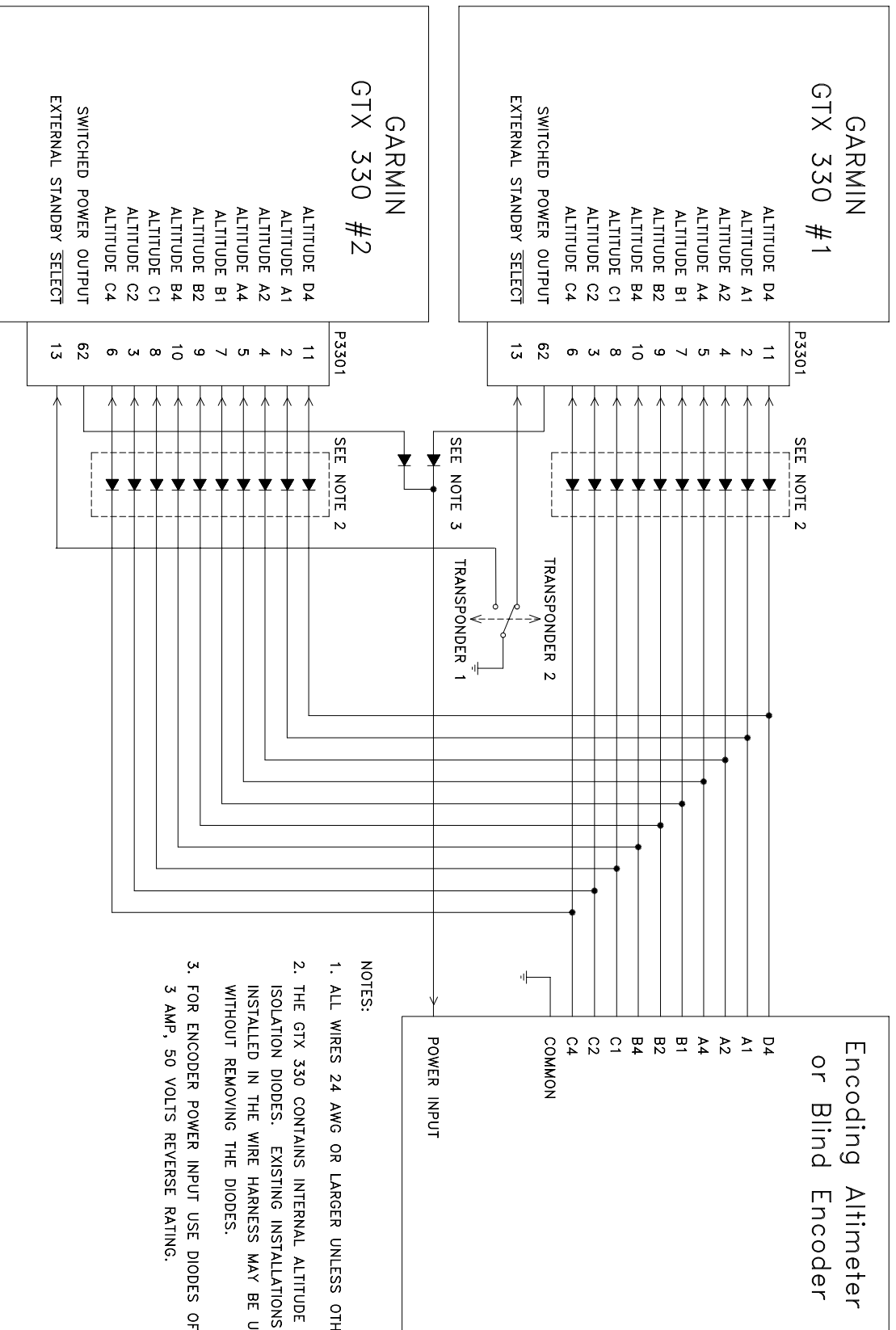
Figure B-3. GTX 330 Recommended Panel Cutout Dimensions



- NOTES:
- ALL WIRES 24 AWG OR LARGER UNLESS OTHERWISE NOTED.
  - ABSOLUTE MAXIMUM SOURCE CURRENT FROM THE SWITCHED POWER OUTPUT IS 1.5 AMPS AT 13.75 VDC INPUT TO THE GTX 330.
  - AVIONICS MASTER ON SELECT (P3301-1) WHEN TIED TO AIRCRAFT POWER INPUT (P3301-21 OR -42) PROVIDES AUTOMATIC UNIT POWER UP. WHEN POWER IS APPLIED THE UNIT WILL POWER UP IN THE LAST MODE SELECTED.
  - ARINC 429 IN 1 (P3301-32 AND -33) INPUT ALLOWS AUTOMATED START AND STOP OF FLIGHT TIMER AND PLACES THE TRANSPONDER IN GROUND (GND) MODE UPON LANDING.
  - IF EXTERNAL STBY SELECT IS CONNECTED IN THIS CONFIGURATION, USE ARINC 429 OUT 1 A AND 1 B (PINS 37 AND 34) RATHER THAN ARINC 429 OUT 2 A AND 2 B (PINS 30 AND 29) SINCE ALTITUDE DATA WILL NOT BE AVAILABLE TO THE 400/500 SERIES UNIT WHEN EXTERNAL STBY SELECT IS GROUNDING.
  - WHEN TIS IS USED IN THE AIRCRAFT DO NOT CONNECT ANOTHER TARGET SYSTEM TO THE SAME 400/500 SERIES UNIT. REFER TO FIGURE C-8.
  - EXTERNAL SUPPRESSION I/O (P3301-31) SENDS AND ACCEPTS POSITIVE-GOING SUPPRESSION PULSES TO/FROM ANOTHER TRANSPONDER/DME.
  - THE AUDIO MUTE SELECT INPUT (P3301-47) MUTES ALL GTX 330 AUDIO WHEN TO PARAGRAPH 4.5.2 FOR A DESCRIPTION OF A PILOT CONTROLLED AUDIO MUTE SELECT SWITCH.
  - ROUTE THE ANTENNA CABLE(S) AS FAR AS PRACTICAL, FROM ANY HARNESS BUNDLE. IN NO CASE SHOULD THE ANTENNA CABLE(S) BE LACED INTO A HARNESS BUNDLE. MAXIMUM CABLE LOSS IS 1.9 DB AT 1090 MHz.
  - THE AUDIO PANEL WIRING CONFIGURATION SHOWN DOES NOT ALLOW A SWITCHED INPUT MAY ALSO BE USED, BUT THE AUDIO PANEL SHOULD BE PLACED IF AN "ADP" OR "DME" INPUT IS USED (FOR EXAMPLE).

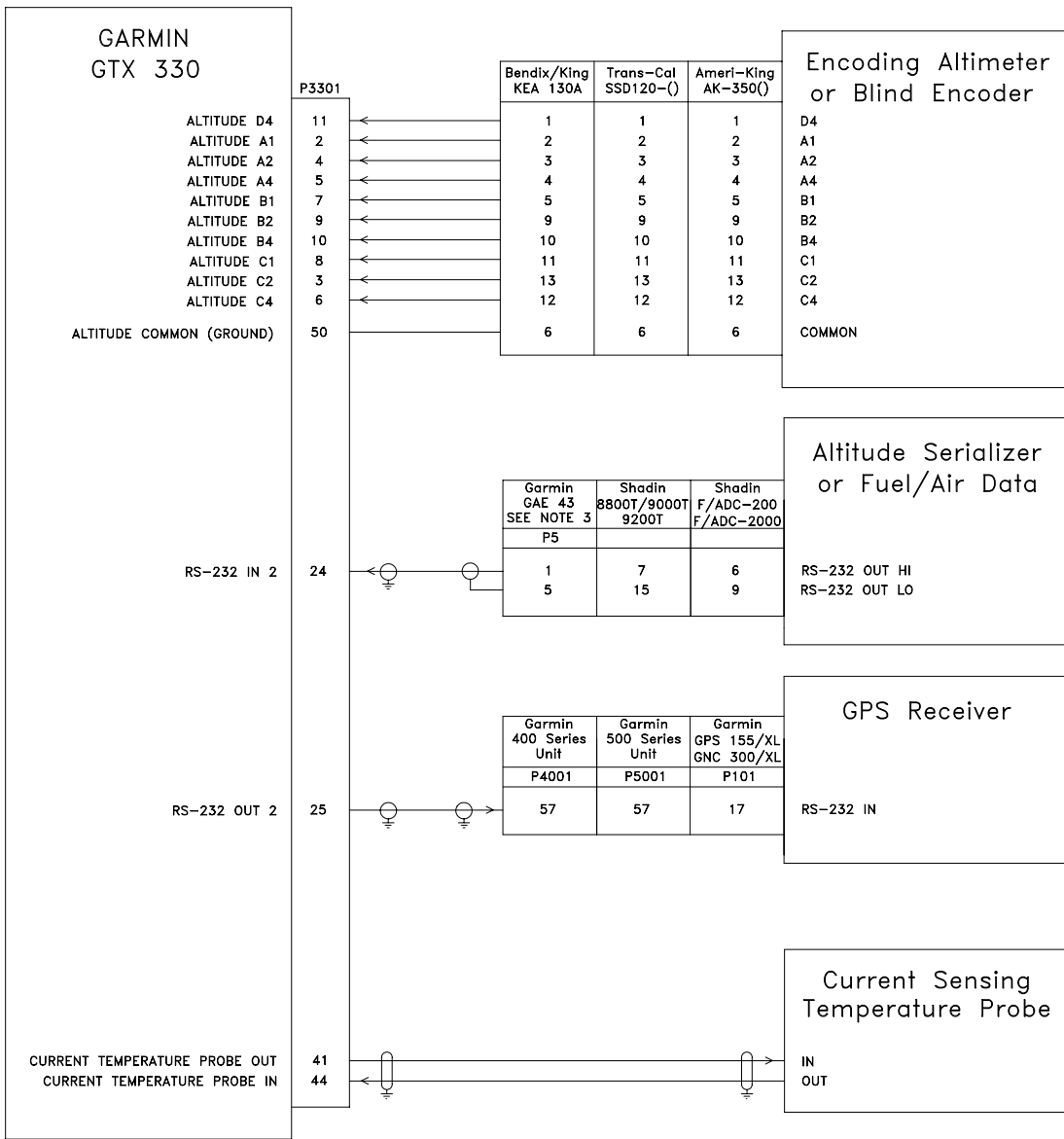
Figure C-1. GTX 330 Typical Interconnect Wiring Diagram





- NOTES:
1. ALL WIRES 24 AWG OR LARGER UNLESS OTHERWISE NOTED.
  2. THE GTX 330 CONTAINS INTERNAL ALTITUDE CODE LINE ISOLATION DIODES. EXISTING INSTALLATIONS WITH DIODES INSTALLED IN THE WIRE HARNESS MAY BE USED "AS IS" WITHOUT REMOVING THE DIODES.
  3. FOR ENCODER POWER INPUT USE DIODES OF AT LEAST 3 AMP, 50 VOLTS REVERSE RATING.

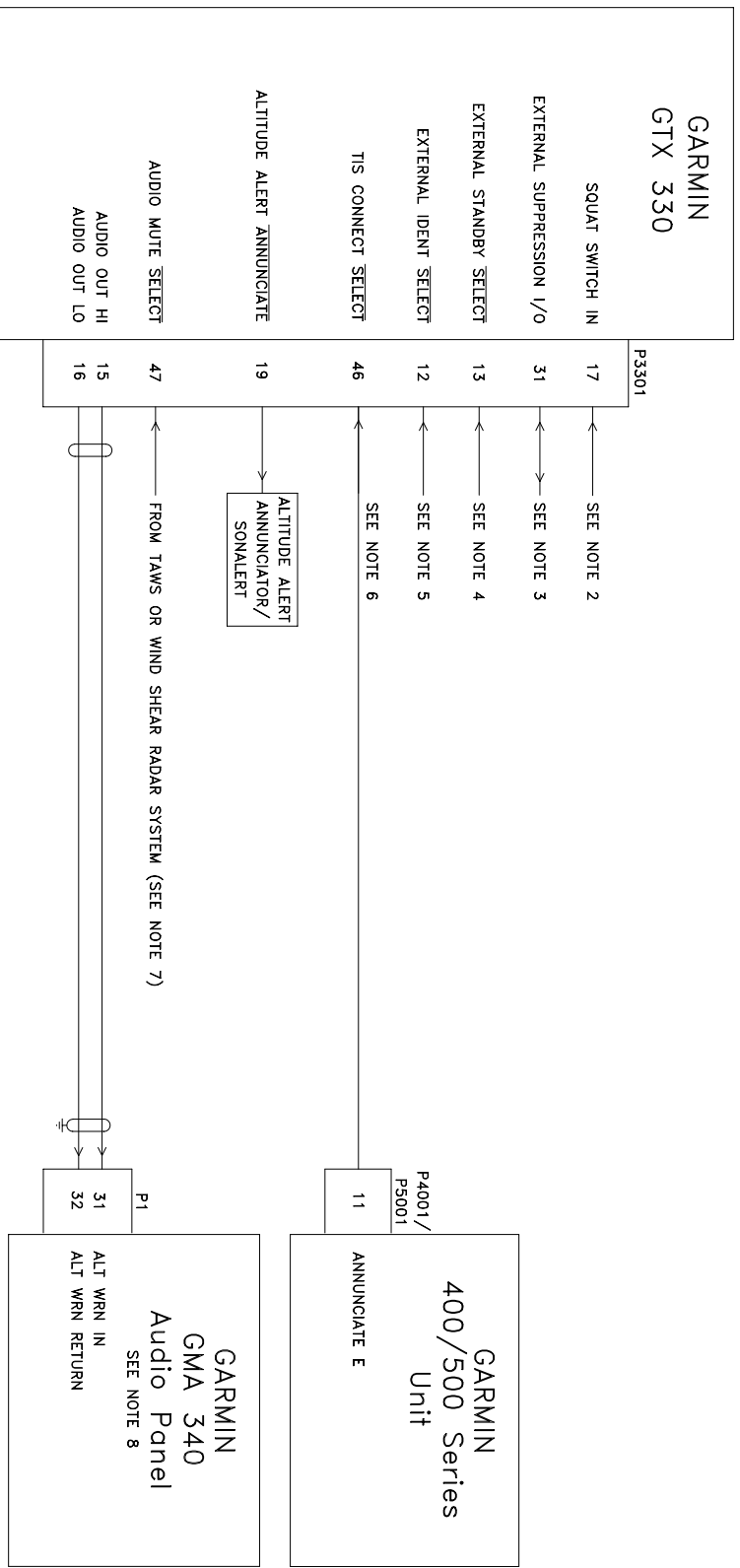
Figure C-2. Dual TXP Interconnect Wiring Diagram, Encoding Altitude Connections



NOTES:

1. ALL WIRES 24 AWG OR LARGER UNLESS OTHERWISE NOTED.
2. ALTITUDE DATA MAY BE SUPPLIED BY PARALLEL OR SERIAL SOURCE. SOURCE USED IS SELECTED VIA A CONFIGURATION PAGE. ALTITUDE DATA SUPPLIED TO THE GTX 330 CAN ALSO BE OUTPUT TO ANOTHER UNIT VIA RS-232.
3. THE GAE 43 CAN ALSO PROVIDE ALTITUDE DATA IN THE FORM OF PARALLEL GRAY CODE.
4. REFER TO MANUFACTURERS' DOCUMENTATION FOR COMPLETE PINOUT AND INTERCONNECT INFORMATION. PINOUTS OF OTHER UNITS SHOWN FOR REFERENCE ONLY.
5. IF ARINC 429 IS CONNECTED, THE GTX 330 WILL IGNORE RS-232 INPUT FROM THE GPS RECEIVER AND RS-232 ALTITUDE INPUT.

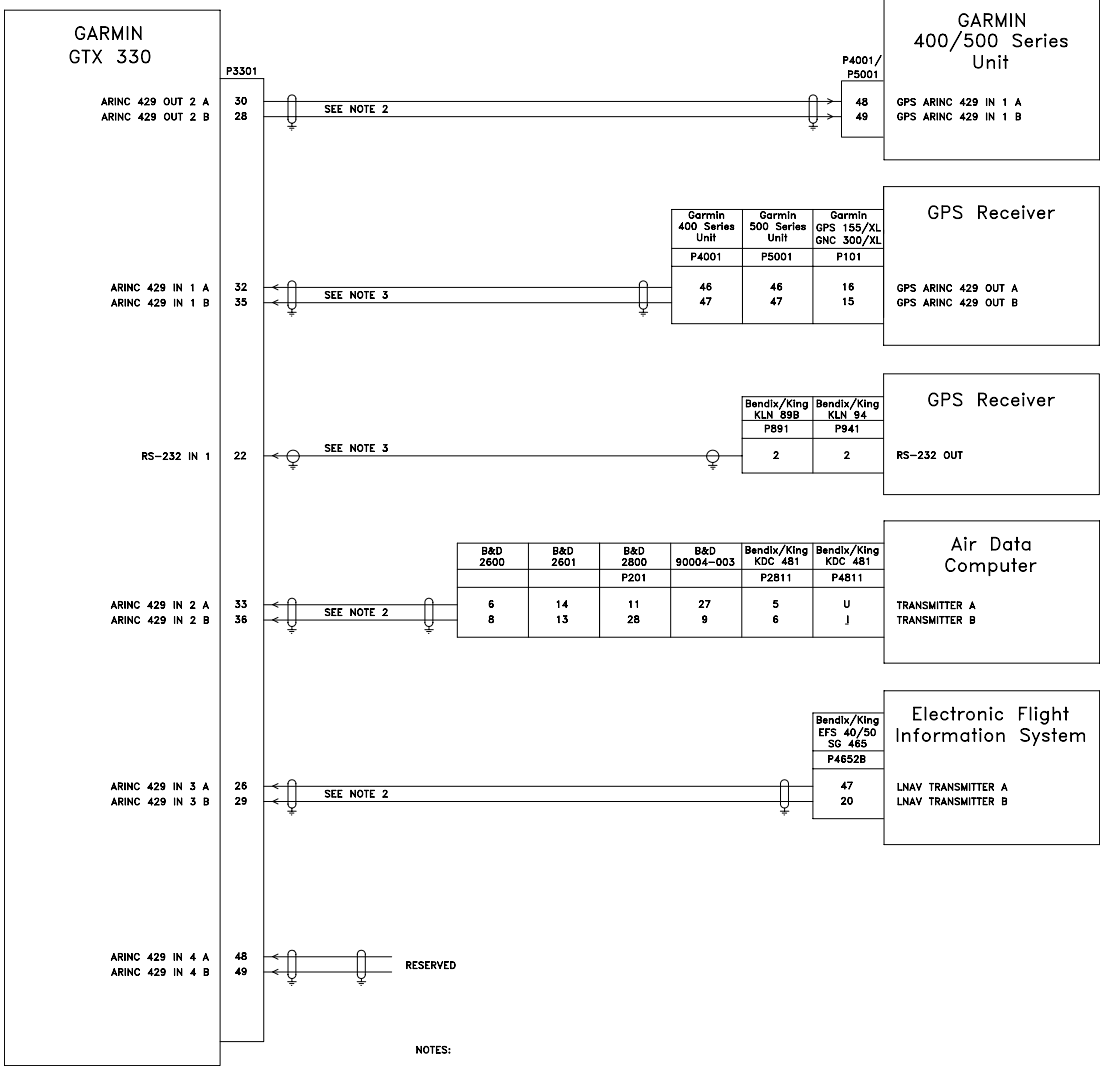
Figure C-3. GTX 330 Interconnect Wiring Diagram, Altitude and Temperature Connections



NOTES:

1. ALL WIRES 24 AWG OR LARGER UNLESS OTHERWISE NOTED.
2. SQUAT SWITCH IN (P3301-17) INPUT ALLOWS AUTOMATED START AND STOP OF FLIGHT TIMER AND PLACES THE TRANSPONDER IN GROUND MODE UPON LANDING. LOGIC IS SET VIA A CONFIGURATION PAGE.
3. EXTERNAL SUPPRESSION I/O (P3301-31) SENDS AND ACCEPTS POSITIVE-GOING SUPPRESSION PULSES TO/FROM ANOTHER TRANSPONDER/DME.
4. EXTERNAL STANDBY SELECT (P3301-13), WHEN TIED TO GROUND, WILL PLACE THAT UNIT IN STANDBY MODE. TYPICALLY USED IN DUAL INSTALLATIONS.
5. MOMENTARY CONNECTION OF EXTERNAL IDENT SELECT (P3301-12) TO GROUND WILL CAUSE THE GTX 330 TO TRANSMIT IDENT PULSES.
6. WHEN TIS IS USED IN THE AIRCRAFT DO NOT CONNECT ANOTHER TRAFFIC SYSTEM TO THE SAME 400/500 SERIES UNIT. REFER TO FIGURE C-8.
7. THE AUDIO MUTE SELECT INPUT (P3301-47) MUTES ALL GTX 330 AUDIO WHEN OTHER SYSTEMS ARE OUTPUTTING HIGHER-PRIORITY AUDIO WARNINGS. REFER TO PARAGRAPH 4.5.2 FOR A DESCRIPTION OF A PILOT CONTROLLED AUDIO MUTE SELECT SWITCH.
8. THE AUDIO PANEL WIRING CONFIGURATION SHOWN DOES NOT ALLOW THE PILOT TO SELECT AND Deselect ALTITUDE/TRAFFIC ALERT AUDIO. A SWITCHED INPUT MAY ALSO BE USED, BUT THE AUDIO PANEL SHOULD BE PLACARDED IF AN "ADF" OR "DME" INPUT IS USED.

Figure C-4. GTX 330 Interconnect Wiring Diagram, Discrete and Audio Connections



NOTES:

1. ALL WIRES 24 AWG OR LARGER UNLESS OTHERWISE NOTED.
2. THE "GARMIN" FORMAT ON ARINC 429 OUT 2 IS A DATA CONCENTRATOR OUTPUT THAT COMBINES DATA FROM GTX 330 DATA INPUTS. THE "GARMIN W/TIS" FORMAT ADDS TIS TRAFFIC DATA ON THE SAME HIGH-SPEED ARINC 429 BUS. WHEN TIS IS USED IN THE AIRCRAFT DO NOT CONNECT ANOTHER TRAFFIC SYSTEM TO THE SAME 400/500 SERIES UNIT. REFER TO FIGURE C-8.
3. ARINC 429 IN 1 (P3301-32 AND -35) OR RS 232 IN 1 (P3301-22) INPUT ALLOWS AUTOMATED START AND STOP OF FLIGHT TIMER AND PLACES THE TRANSPONDER IN GROUND (GND) MODE UPON LANDING.
4. LOWER CASE PIN DESIGNATORS ARE SHOWN AS UNDERLINED UPPER CASE LETTERS.
5. REFER TO MANUFACTURERS' DOCUMENTATION FOR COMPLETE PINOUT AND INTERCONNECT INFORMATION. PINOUTS OF OTHER UNITS SHOWN FOR REFERENCE ONLY.

Figure C-5. GTX 330 Interconnect Wiring Diagram, Serial Devices Connections

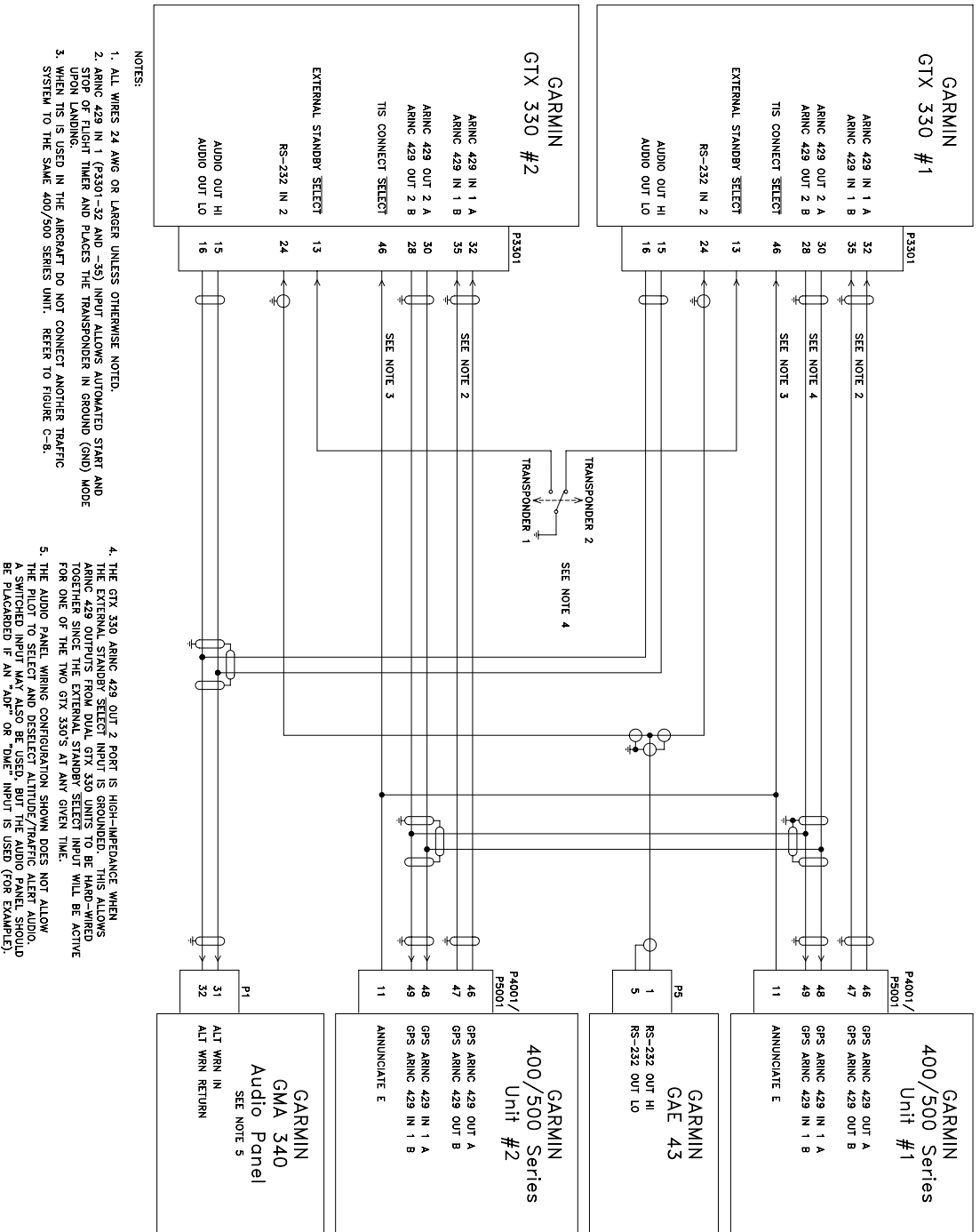
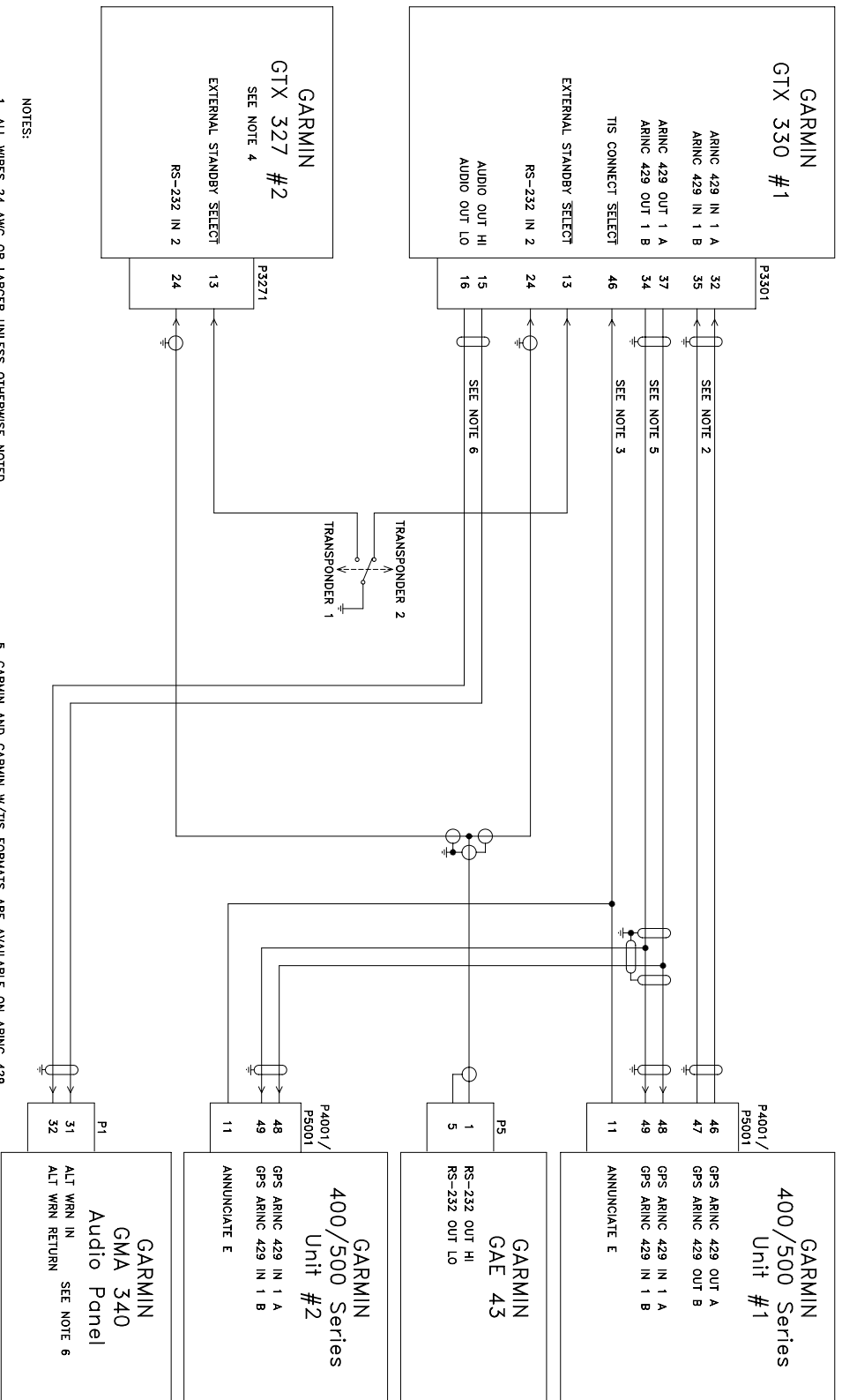


Figure C-6. Dual GTX 330 Interconnect Wiring Diagram, Dual Display Connections



- NOTES:
1. ALL WIRES 24 AWG OR LARGER UNLESS OTHERWISE NOTED.
  2. ARINC 429 IN 1 (P3301-32 AND -35) INPUT ALLOWS AUTOMATED START AND STOP OF FLIGHT TIMER AND PLACES THE TRANSPONDER IN GROUND (GND) MODE UPON LANDING.
  3. WHEN TIS IS USED IN THE AIRCRAFT DO NOT CONNECT ANOTHER TRAFFIC SYSTEM TO THE SAME 400/500 SERIES UNIT. REFER TO FIGURE C-8.
  4. FOR THE REMAINDER OF GTX 327 CONNECTIONS REFER TO GTX 327 TRANSPONDER INSTALLATION MANUAL, P/N 190-00187-02.
  5. GARMIN AND GARMIN W/TIS FORMATS ARE AVAILABLE ON ARINC 429 PORT 1 IN UNITS WITH SW 3.03 AND ABOVE. UNLIKE PORT 2, ARINC 429 OUT PORT 1 REMAINS ACTIVE WHEN EXTERNAL STANDBY SELECT IS GROUNDDED.
  6. THE AUDIO PANEL WIRING CONFIGURATION SHOWN DOES NOT ALLOW THE PILOT TO SELECT AND Deselect ALTITUDE/TRAFFIC ALERT AUDIO. A SWITCHED INPUT MAY ALSO BE USED, BUT THE AUDIO PANEL SHOULD BE FLAGGED IF AN "ADT" OR "DME" INPUT IS USED (FOR EXAMPLE).

Figure C-7. GTX 330/GTX 327 Interconnect Wiring Diagram. Dual Display Connections

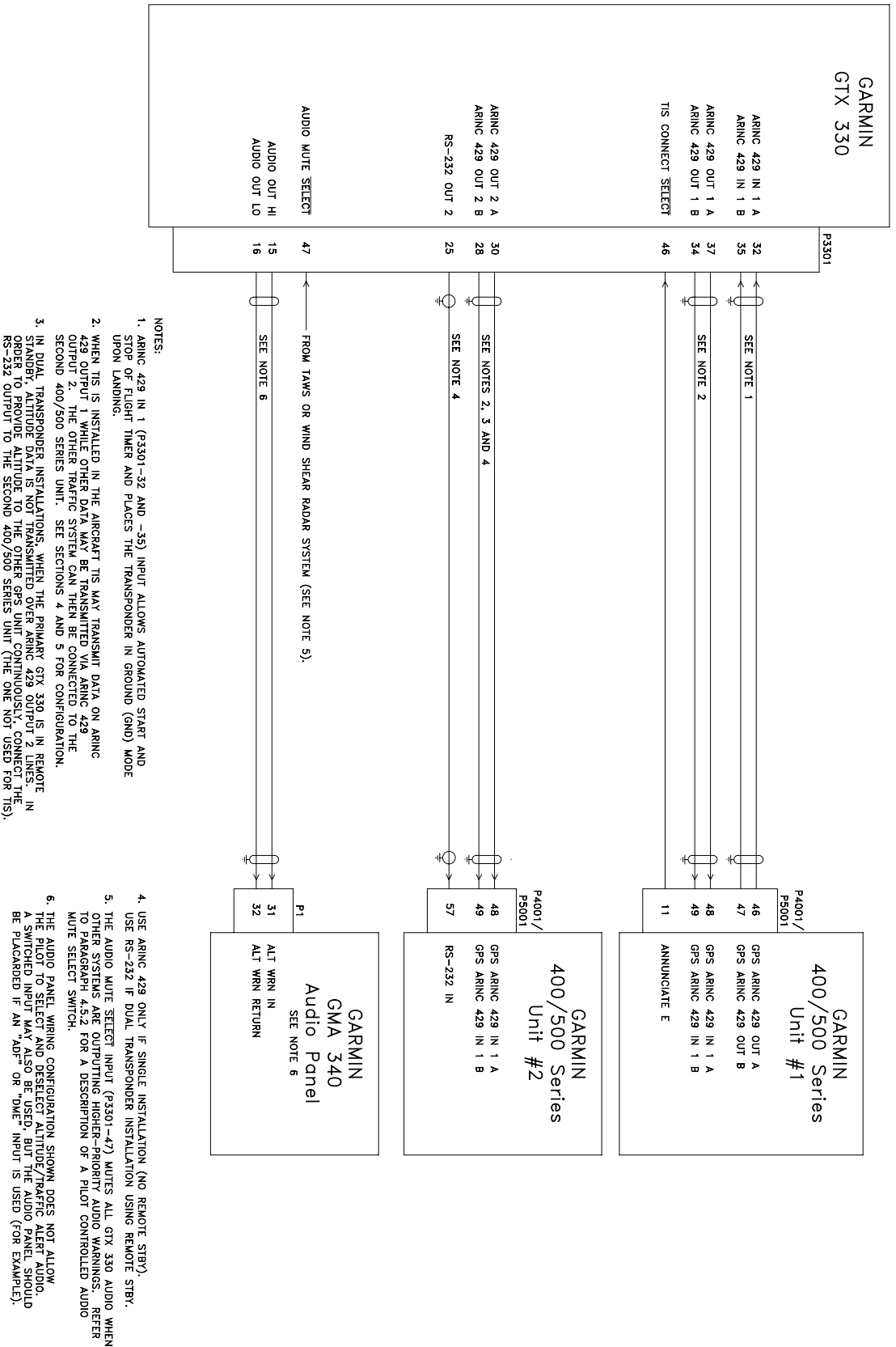


Figure C-8. GTX 330 Interconnect Wiring Diagram, Aircraft with TIS and TCAD/CAS