

FreeCAD

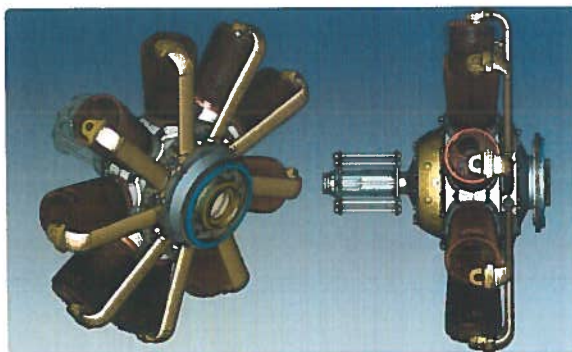
Your own 3D
parametric
modeler



Download now

See what's new

Freedom to build what you want

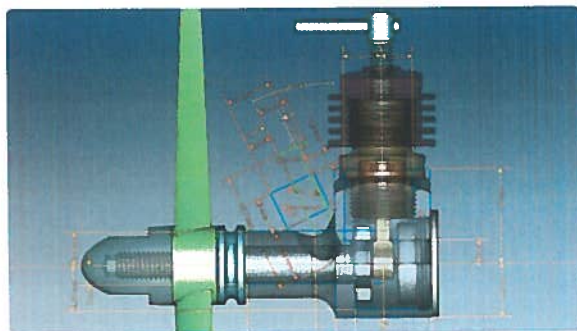


FreeCAD is an open-source parametric 3D modeler made primarily to design real-life objects of any size.

Parametric modeling allows you to easily modify your design by going back into your model history and changing its parameters.

Create 3D from 2D & back

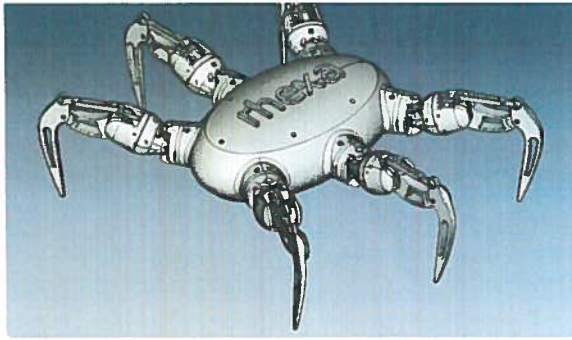
FreeCAD
allows you to
sketch
geometry
constrained
2D shapes
and use them
as a base to
build other
objects. It
contains
many
components
to adjust



dimensions or
extract design
details from
3D models to
create high
quality
production
ready
drawings.

Accessible, flexible & integrated

FreeCAD is a
multiplatform
(Windows,
Mac and
Linux), highly
customizable

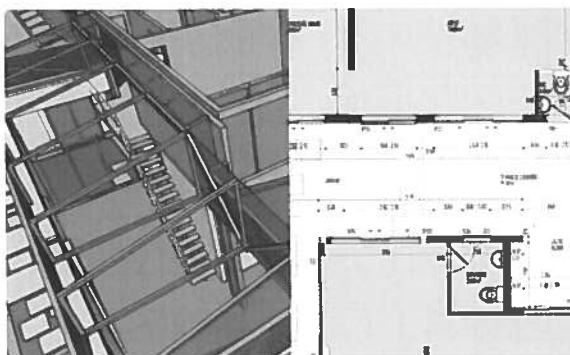


and extensible software. It reads and writes to many open file formats such as STEP, IGES, STL, SVG, DXF, OBJ, IFC, DAE and many others, making it possible to seamlessly integrate it into your workflow.

**Designed
for
your**

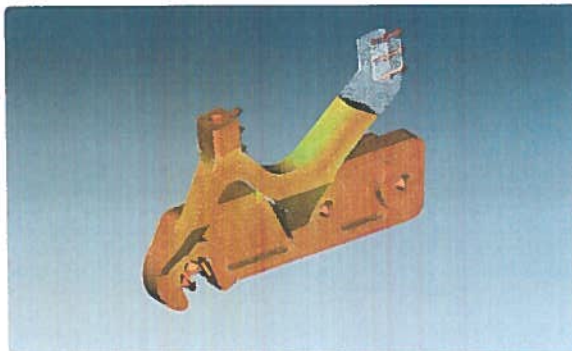
needs

FreeCAD is designed to fit a wide range of uses including product design, mechanical engineering and architecture. Whether you are a hobbyist, a programmer, an experienced CAD user, a student or a teacher, you will feel right at home with FreeCAD.



And many more great features

FreeCAD equips you with all the right tools for your needs. You get modern Finite Element Analysis (FEA) tools, experimental CFD, dedicated BIM, Geodata or CAM/CNC workbenches, a robot simulation module that



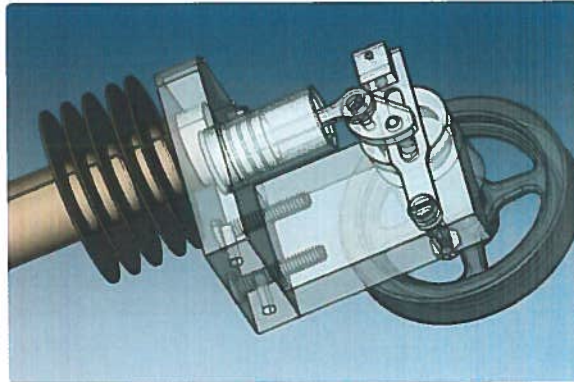
allows you to study robot movements and many more features. FreeCAD really is a Swiss Army knife of general-purpose engineering toolkits.

**Learn
more**

**Want
to
contribute**

to FreeCAD?

FreeCAD is a truly open source project and if you would like to help fix bugs, implement new cool features or work on the documentation, we invite you to join us and create a software that benefits the whole community.



**Get
involved**

Learn

Tutorials
Videos
Stack Exchange

Contribute

How can I help?
Donate
Translate

Code

Building from
source
C++ & Python API
License
information

© The FreeCAD Team. Homepage image credits (top to bottom): ppemawm, r-frank, epileftric, regis, rider_mortagnais, bejant.

This project is supported by:

 [DigitalOcean](#) - [KiCad Services Corp.](#)



FreeCAD 0.17

File Edit View Tools Macro Windows Help

Combo View
Model
Labels & Attributes
Application
6 Cylinder Head B-1
Study
Origin

Description

Property Value

0.05 / 2:35:54 • Premise >

View

FreeCAD 0.17

FreeCAD: The 2022 Complete Beginners Guide To Part Design | JOKO ENGINEERING!

124,549 views • Feb 2, 2022

1.6K DISLIKE SHARE SAVE

Joko Engineeringhelp 39.2K subscribers

SUBSCRIBE

FreeCAD

next

WHAT'S NEXT FOR 2D/3D CAD IN DWG? APRIL 7, 2022

FREE ONLINE EVENT

2D/3D CAD in DWG Online Event :

Modern 2D/3D CAD in DWG for Desktop, Cloud and Mobile

Ad next graebert.com

[VISIT SITE](#)

LASER LITHO

21:48

DIY Laser Lithography: micron features with 3D printed...

Breaking Taps

69K views • 6 days ago

New

FreeCAD

ZERO TO HERO!

Mix - Joko Engineeringhelp

YouTube

FreeCAD

Serbia sites with Re 5:06

Why won't Serbia condemn Putin's war? | Focus on Europe

DW News

211K views • 8 hours ago

New

FreeCAD

40:08

MAKE THIS COMPRESSOR-SolidWorks and FreeCAD Side...

Joko Engineeringhelp

79K views • 3 years ago

FreeCAD

39:50

Dynon Skyview in a Cherokee HDX FULL REVIEW in flight an...

SoCal Flying Monkey

93K views • 2 years ago